

Specifications

WindFree™ Elite  

- Three-step cooling: Fast Cooling mode, Dehumidification mode and WindFree™ Cooling mode.
- Tri-Care Filter system with Zeolite Coating.
- AI Auto Comfort and Motion Detect Sensor.
- Wi-Fi Control with Samsung SmartThings and Bixby voice controls.
- Compressor with Digital Inverter Boost technology.
- Direct drive fan powered by a BLDC motor.
- Triple Protector Plus to protect compressor, fan and controller from power surges.
- Compatible with wired remote controller and with centralized controller².
- SolarCell remote controller included.







Indoor Unit		AR09CXCAAWKNEU		AR12CXCAAWKNEU	
Outdoor Unit		AR09TXCAAWKXEU		AR12TXCAAWKXEU	
Capacity					
Capacity	Cooling (Nominal)	kW	2.5	3.5	
	Cooling (Min~Max)	kW	0.9~3.6	0.9~4.8	
	Heating @ +7 °C	kW	3.2	4.0	
	Heating (Min~Max)	kW	0.8~7.1	0.8~7.3	
	Heating @ -5 °C	kW	4.15	4.83	
	Heating @ -10 °C	kW	3.98	4.62	
Heating @ -15 °C	kW	3.92	4.52		
Performance					
Energy Efficiency Cooling	SEER ¹	W/W	8.8/ A+++	8.5/ A+++	
	Power Consumption	kWh/a	99	144	
	Pdesignc	kW	2.5	3.5	
	EER	W/W	4.63	3.95	
Energy Efficiency Heating	SCOP ¹	W/W	5.1/ A+++	5.1/ A+++	
	Power Consumption	kWh/a	631	659	
	Pdesignh (average)	kW	2.3	2.4	
	COP ¹	W/W	4.74	4.26	
Moisture Removal		l/h	1.0	1.5	
Maximum Airflow (Cooling)	Indoor Unit	m ³ /min	11.1	12.1	
	Outdoor Unit	m ³ /min	45.0	45.0	
Sound Power	Indoor Unit (Cooling)	dB(A)	56	58	
	Outdoor Unit (Cooling)	dB(A)	59	62	
Sound Pressure	Indoor Unit High/Silent Mode	dB(A)	39/16	40/16	
	Outdoor Unit High	dB(A)	45	46	
Operating Temperature Range	Cooling	°C	-10~46	-10~46	
	Heating	°C	-15~24	-15~24	
Electrical Data					
Power Source		Φ, V, Hz	1Φ, 220~240 V, 50 Hz	1Φ, 220~240 V, 50 Hz	
Compressor Type	Outdoor Unit	Type	BLDC Rotary	BLDC Rotary	
Power Consumption	Cooling	W	540	885	
	Heating	W	675	940	
Operating Current	Cooling	A	2.9	4.1	
	Heating	A	3.4	4.4	
Dimensions					
Net Dimensions (W x H x D)	Indoor Unit	mm	889 x 299 x 215	889 x 299 x 215	
	Outdoor Unit	mm	790 x 548 x 285	790 x 548 x 285	
Net Weight	Indoor Unit	kg	10.6	10.6	
	Outdoor Unit	kg	32.5	32.5	
Refrigerant					
Refrigerant	Type		R32 (contains fluorinated greenhouse gases. GWP = 675)		
	Charging (for 5 m)	kg	0.97	0.97	
	Charging Ton Equivalent CO ₂	tCO ₂ e	0.65	0.65	
	Additional Refrigerant Charging	g/m	15	15	
Piping Connections	Liquid Pipe	ø, mm (inch)	6.35 (1/4)	6.35 (1/4)	
	Gas Pipe	ø, mm (inch)	9.52 (3/8)	9.52 (3/8)	
Piping Length	Min/Max (ODU to IDU)	m	3/15	3/15	
Piping Height	Max	m	8	8	
Piping Connections	Drain Pipe	ø, mm	ø16.3, 550 mm	ø16.3, 550 mm	

¹ Energy labels as shown are according to EU No 626/2011 (LOT10) label classification 2019, on a scale from D to A+++.
² A MIM-R10N Interface is required to connect the Outdoor Unit (ODU) to the centralized controller.



Indoor Unit		AR09CXCAAWKNEU		AR12CXCAAWKNEU	
Outdoor Unit		AR09TXCAAWKXEU		AR12TXCAAWKXEU	
Functions					
Airflow	WindFree™ Cooling		●	●	
	Air Direction Control (Up/Down)		Auto	Auto	
	Air Direction Control (Left/Right)		Auto	Auto	
	Auto Fan Speed		●	●	
Air Purification	Tri-Care Filter		●	●	
	Easy Filter Plus		●	●	
	Auto Clean (Self-Cleaning)		●	●	
Operating Mode	AI Auto Comfort with Wi-Fi & MDS (direct/indirect)		●	●	
	AI Auto Comfort with Wi-Fi		●	●	
	Auto Mode (without Wi-Fi)		-	-	
	Fast Cooling		●	●	
	Good Sleep		●	●	
	Eco		●	●	
	Dehumidification		●	●	
	Fan		●	●	
	Quiet		●	●	
	Other Functions	Samsung SmartThings		●	●
MDS (Motion Detect Sensor)		●	●		
Indoor Temperature Display		●	●		
Display On/Off	88 Display		●	●	
Beep On/Off			●	●	
Auto Changeover			●	●	
Auto Restart			●	●	

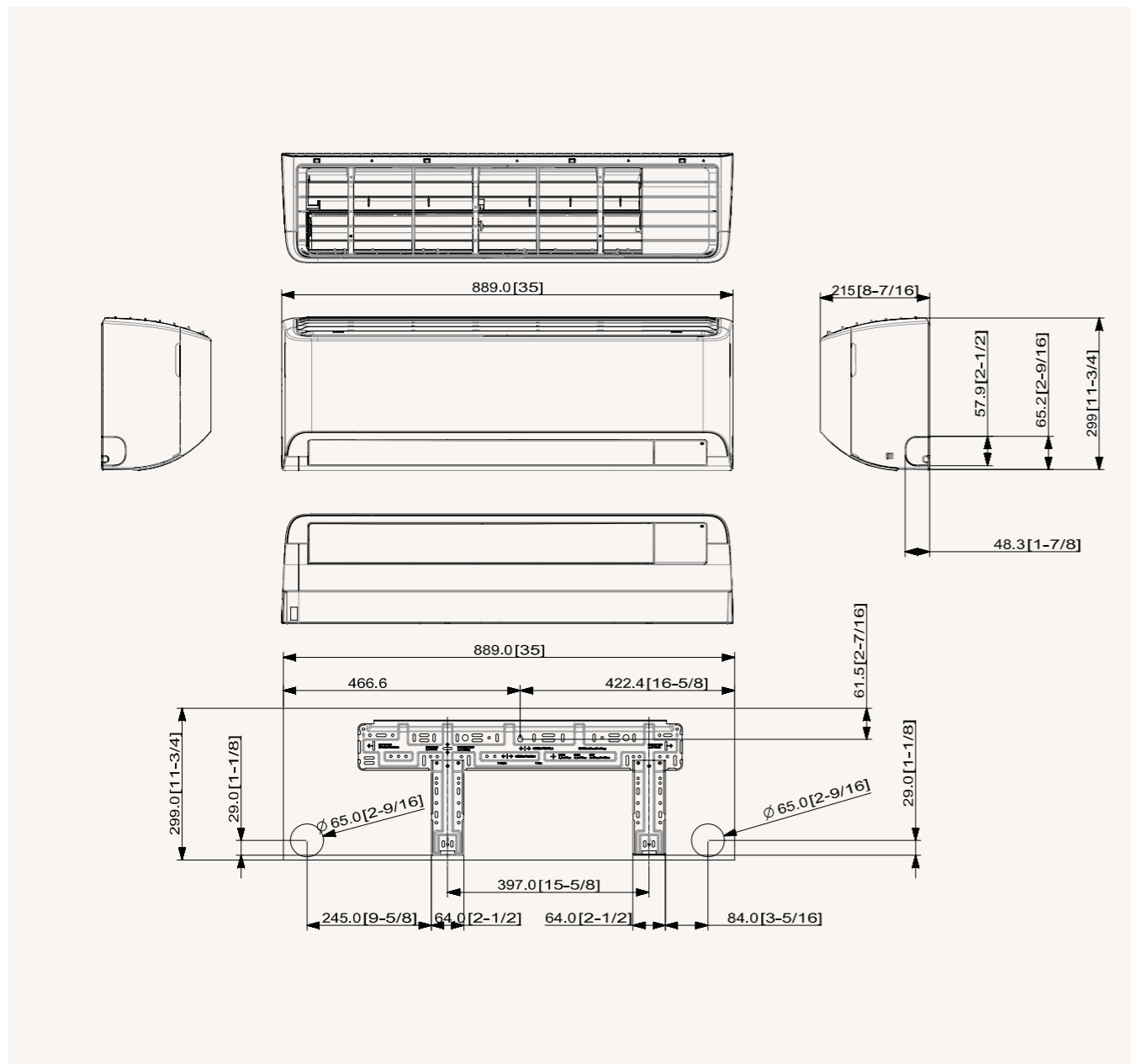
Accessory			
			
Wireless SolarCell Remote Controller (included)	Advanced Wired Controller ³	Simple Type Controller ³	Touch Controller ³
	MWR-WG00JN/MWR-WG00KN	MWR-SH00N	MWR-SH11N

³ MIM-A00N Interface is required for the connection to wired remote controllers.

Dimensional drawings

WindFree™ Elite - Indoor

AR09/12CXCAAWKNEU



WindFree™ Elite - Outdoor

AR09/12TXCAAWKXEU

