

# Specifications

Nordic WindFree™ Geo  

- Three-step cooling: Fast Cooling mode, Dehumidification mode and WindFree™ Cooling mode.
- Tri-Care Filter system with Zeolite Coating.
- AI Auto Comfort and Motion Detect Sensor.
- Wi-Fi Control with Samsung SmartThings and Bixby voice controls.
- Compressor with Digital Inverter Boost technology.
- Equipped with base heater.
- Direct drive fan powered by a BLDC motor.
- Triple Protector Plus to protect compressor, fan and controller from power surges.
- Compatible with wired remote controller and with centralized controller<sup>1</sup>.
- Heating down to -30°C.



Indoor Unit	Outdoor Unit	AR09TKACWKEE	AR12TKACWKEE	
<b>Capacity</b>				
Capacity	Cooling (Nominal)	kW	2.5	3.5
	Cooling (Min-Max)	kW	0.9-3.6	0.9-4.8
	Heating @ +7 °C	kW	3.2	4.0
	Heating (Min-Max)	kW	0.8-2.1	0.8-2.3
	Heating @ 0 °C	kW	4.62	5.38
	Heating @ +10 °C	kW	4.10	4.66
	Heating @ +20 °C	kW	3.28	3.57
<b>Performance</b>				
Energy Efficiency Cooling	SEER <sup>1</sup>	W/W	8.8 <b>A+++</b>	8.5 <b>A+++</b>
	Consumption	kWh/a	99	144
	Pdesignc	kW	2.5	3.5
	EER	W/W	4.63	3.95
Energy Efficiency Heating	SCOP <sup>1</sup>	W/W	5.1 <b>A+++</b>	5.1 <b>A+++</b>
	Consumption	kWh/a	631	659
	Pdesignh (average)	kW	2.3	2.4
	COP	W/W	4.74	4.26
Moisture Removal	L/h		1.0	1.5
Maximum Airflow (Cooling)	Indoor Unit	m <sup>3</sup> /min	13.1	13.1
	Outdoor Unit	m <sup>3</sup> /min	45	45
Sound Power	Indoor Unit (Cooling)	dB(A)	56	58
	Outdoor Unit (Cooling)	dB(A)	59	62
Sound Pressure	Indoor Unit Low/High	dB(A)	17 / 38	17 / 40
	Outdoor Unit High	dB(A)	45	46
Operating Temperature Range	Cooling	°C	-15-46	-15-46
	Heating	°C	-30-24	-30-24
<b>Electrical Data</b>				
Power Source	φ, V, Hz		10, 220-240 V, 50 Hz	10, 220-240 V, 50 Hz
Compressor Type	Outdoor Unit	Type	Rotary	Rotary
Power Input	Cooling	W	540	885
	Heating	W	675	940
Operating Current	Cooling	A	2.9	4.1
	Heating	A	3.4	4.4
<b>Dimensions</b>				
Net Dimensions (W x H x D)	Indoor Unit	mm	889 x 299 x 215	889 x 299 x 215
	Outdoor Unit	mm	790 x 548 x 285	790 x 548 x 285
Net Weight	Indoor Unit	kg	10.4	10.4
	Outdoor Unit	kg	33	33
<b>Refrigerant</b>				
Refrigerant	Type		R32 (contains fluorinated greenhouse gases, GWP = 675)	
	Charging (for 5 m)	kg	0.920	0.920
	Charging Ton Equivalent CO <sub>2</sub>	tCO <sub>2</sub> e	0.62	0.62
	Additional Refrigerant Charging	g/m	15	15
Piping Connections	Liquid Pipe	φ, Inch	1/4"	1/4"
	Gas Pipe	φ, Inch	3/8"	3/8"
Piping Length	Min/Max (ODU to IDU)	m	3 / 15	3 / 15
Piping Height	Max	m	8	8
Piping Connections	Drain Pipe	φ, mm	ID16	ID16

<sup>1</sup> Energy labels as shown are according to EU No 426/2011 (LOT1) label classification 2019, on a scale from D to A+++.

<sup>2</sup> A MM-ROOM Interface is required to connect the Outdoor Unit (ODU) to the centralized controller.

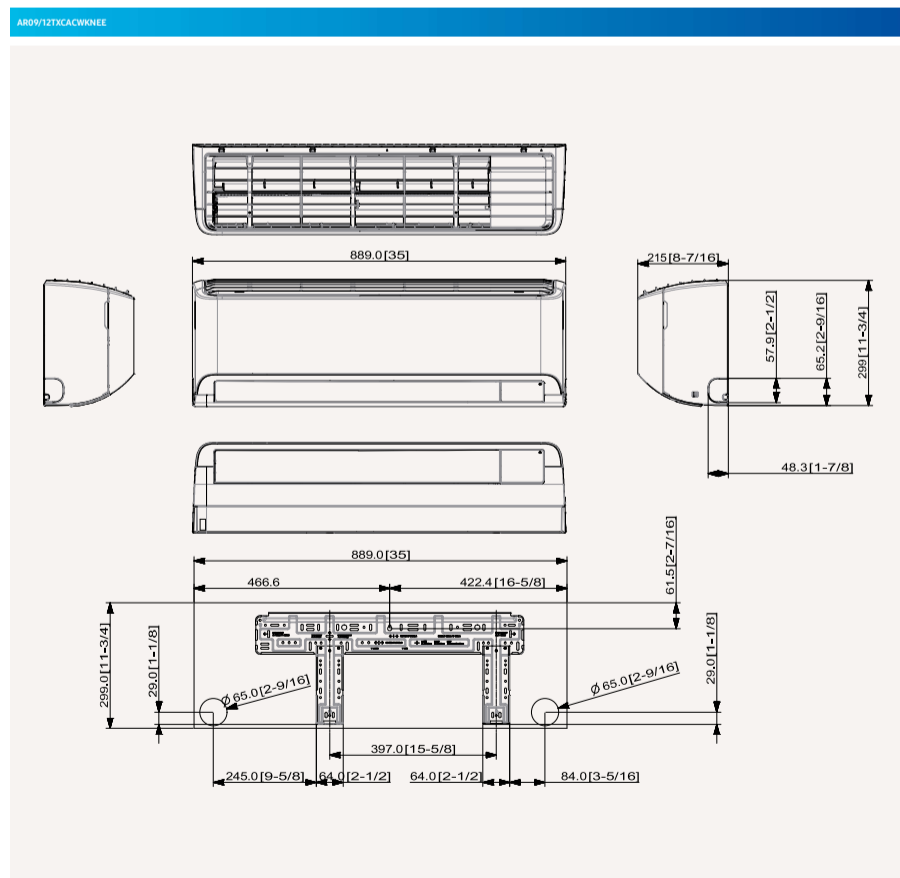
Indoor Unit	Outdoor Unit	AR09TKACWKEE	AR12TKACWKEE
<b>Functions</b>			
Airflow	WindFree™ Cooling	•	•
	Air Direction Control (Up/Down)	Auto	Auto
	Air Direction Control (Left/Right)	Auto	Auto
	Auto Fan Speed	•	•
Air Purification	Tri-Care Filter	•	•
	Easy Filter Plus	•	•
	Auto Clean (Self Cleaning)	•	•
Operating Mode	AI Auto with Wi-Fi & MDS (direct/Indirect)	•	•
	AI Auto with Wi-Fi	-	-
	Auto Mode (without Wi-Fi)	•	•
	Fast Cool	•	•
	Good Sleep	•	•
	Eco mode	•	•
	Dehumidification	•	•
	Fan	•	•
	Quiet	•	•
Other Functions	Samsung SmartThings	•	•
	MDS (Motion Detect Sensor)	•	•
	Indoor Temperature Display	•	•
	Display On/Off	•	•
	Beep On/Off	•	•
	Auto Changover	•	•
	Auto Restart	•	•

Accessory			
Wireless Remote Controller (included)	Advanced Wired Controller <sup>1</sup>	Simple Type Controller <sup>1</sup>	Touch Controller <sup>1</sup>
	MWR-WG00JN/MWR-WG00KN	MWR-SH00N	MWR-SH11N

<sup>1</sup> MM-ROOM interface is required for the connection to wired remote controllers.

# Dimensional drawings

Nordic WindFree™ Geo - Indoor



Nordic WindFree™ Geo - Outdoor

