

Specifications

Nordic Geo **R32**

- Heating down to -30°C.
- Compressor with Digital Boost Inverter technology.
- Triple Protector Plus to protect compressor, fan and controller from power surges.
- Compatible with wired remote controller and with centralized controller¹.
- AI Auto Comfort.
- Direct drive fan powered by a BLDC motor.
- Equipped with base heater.
- Wi-Fi Smart Control with Bixby Voice Controls and AI Auto Comfort.



Indoor Unit	Outdoor Unit	AR09TYFYBWKNEE AR09TYFYBWKXEE	AR12TYFYBWKNEE AR12TYFYBWKXEE	
Capacity				
Capacity	Cooling (Nominal)	kW	2.5	3.5
	Cooling (Min-Max)	kW	0.9-3.5	0.9-4.6
	Heating @ +7 °C	kW	3.2	4.0
	Heating (Min-Max)	kW	0.8-7.0	0.8-7.2
	Heating @ 0 °C	kW	4.52	5.28
	Heating @ +10 °C	kW	4.00	4.56
	Heating @ +20 °C	kW	3.19	3.48
Performance				
Energy Efficiency Cooling	SEER ¹	W/W	8.4 A++	7.7 A++
	Consumption	kWh/a	104	159
	Pdesignc	kW	2.5	3.5
	EER	W/W	4.63	3.95
Energy Efficiency Heating	SCOP ¹	W/W	4.6 A++	4.6 A++
	Consumption	kWh/a	700	730
	Pdesignh (average)	kW	2.3	2.4
	COP	W/W	4.74	4.26
Moisture Removal	L/h		1.0	1.5
Maximum Airflow (Cooling)	Indoor Unit	m ³ /min	12.9	12.9
	Outdoor Unit	m ³ /min	45	45
Sound Power	Indoor Unit (Cooling)	dB(A)	56	58
	Outdoor Unit (Cooling)	dB(A)	59	62
Sound Pressure	Indoor Unit Low/High	dB(A)	18 / 38	18 / 40
	Outdoor Unit High	dB(A)	45	46
Operating Temperature Range	Cooling	°C	-15-46	-15-46
	Heating	°C	-30-24	-30-24
Electrical Data				
Power Source	Ø, V, Hz		10, 220-240 V, 50 Hz	10, 220-240 V, 50 Hz
Compressor Type	Outdoor Unit	Type	Rotary	Rotary
Power Input	Cooling	W	540	885
	Heating	W	675	940
Operating Current	Cooling	A	2.9	4.1
	Heating	A	3.4	4.4
Dimensions				
Net Dimensions (W x H x D)	Indoor Unit	mm	889 x 299 x 215	889 x 299 x 215
	Outdoor Unit	mm	790 x 548 x 285	790 x 548 x 285
Net Weight	Indoor Unit	kg	10.3	10.3
	Outdoor Unit	kg	33	33
Refrigerant				
Refrigerant	Type		R32 (contains fluorinated greenhouse gases, GWP = 675)	
	Charging (for 5 m)	kg	0.965	0.965
	Charging Ton Equivalent CO ₂	tCO ₂ e	0.65	0.65
	Additional Refrigerant Charging	g/m	15	15
Piping Connections	Liquid Pipe	ø, Inch	1/4"	1/4"
	Gas Pipe	ø, Inch	3/8"	3/8"
Piping Length	Min/Max (ODU to IDU)	m	3 / 15	3 / 15
Piping Height	Max	m	8	8
Piping Connections	Drain Pipe	ø, mm	ID16	ID16

¹ Energy labels as shown are according to EU No 426/2011 (L0T10) label classification 2019, on a scale from D to A+++.

² A MM-R01N Interface is required to connect the Outdoor Unit (ODU) to the centralized controller.

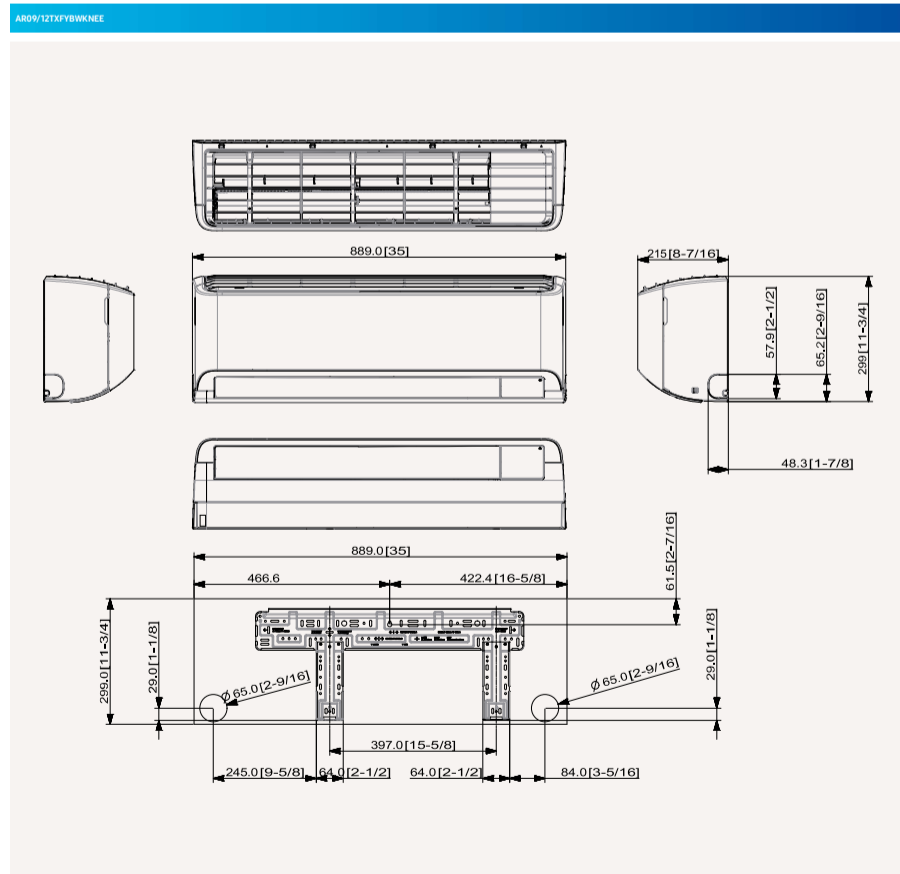
Indoor Unit	Outdoor Unit	AR09TYFYBWKNEE AR09TYFYBWKXEE	AR12TYFYBWKNEE AR12TYFYBWKXEE
Functions			
Airflow	WindFree™ Cooling	-	-
	Air Direction Control (Up/Down)	Auto	Auto
	Air Direction Control (Left/Right)	Auto	Auto
	Auto Fan Speed	•	•
Air Purification	Tri-Care Filter	-	-
	Easy Filter Plus	•	•
	Auto Clean (Self Cleaning)	•	•
Operating Mode	AI Auto with Wi-Fi & MDS (direct/Indirect)	-	-
	AI Auto with Wi-Fi	•	•
	Auto Mode (without Wi-Fi)	•	•
	Fast Cool	•	•
	Good Sleep	•	•
	Eco mode	•	•
	Dehumidification	•	•
	Fan	•	•
	Quiet	•	•
Other Functions	Samsung SmartThings	•	•
	MDS (Motion Detect Sensor)	-	-
	Indoor Temperature Display	•	•
	Display On/Off	•	•
	Beep On/Off	•	•
	Auto Changerover	•	•
	Auto Restart	•	•

Accessory			
Wireless Remote Controller (included)	Advanced Wired Controller ¹	Simple Type Controller ¹	Touch Controller ¹
	MWR-WG00JN/MWR-WG00KN	MWR-SH00N	MWR-SH11N

¹ MM-R001N Interface is required for the connection to wired remote controllers.

Dimensional drawings

Nordic Geo - Indoor



Nordic Geo - Outdoor

