

Specifications

Big Ceiling R32

- Horizontal installation.
- Air supply by means of one adjustable blade; blade angle between 4° and 45°.
- Reduced noise thanks to the remotely controlled EEV.
- Long-life washable HD 40 permanent filter is included.



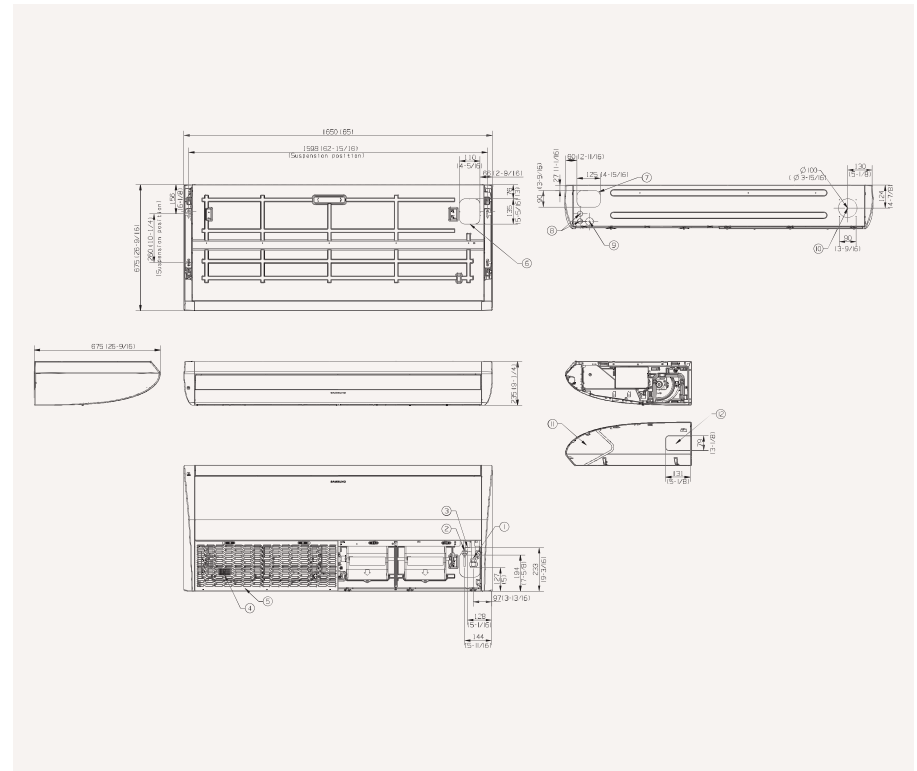
Indoor Unit		ACT100RNCDEG/EU	ACT20RNCDEG/EU	ACT40RNCDEG/EU	
Outdoor Unit - Mono-Phase		ACT100RXADKG/EU	ACT20RXADKG/EU	ACT40RXADKG/EU	
Outdoor Unit - Tri-Phase		ACT100RXADNG/EU	ACT20RXADNG/EU	ACT40RXADNG/EU	
Capacity					
Cooling (Min/Nominal/Max)	kW	3.00/10.00/12.00	3.0/12.0/13.5	3.50/13.40/15.50	
Heating up to +7 °C (Min/Nominal/Max)	kW	3.0/12.0/13.5	3.0/12.0/13.5	3.50/15.50/18.00	
Heating @ +5 °C	kW	11.0	12.9	15.2	
Heating @ -15 °C	kW	9.7	11.5	13.5	
Performance					
Energy Efficiency Cooling	SEER ¹	6.1 A++	5.9 A+	6.1 A++	
Power Consumption	kWh/a	574	-	-	
Pdesignc	kW	10.0	-	-	
EER	W/W	3.05	2.76	2.97	
Energy Efficiency Heating	SCOP ¹	4.0 A+	4.0 A+	4.0 A+	
Power Consumption	kWh/a	1,820	-	-	
Pdesignh (average)	kW	5.2	6.5	-	
COP ¹	W/W	3.44	3.44	3.41	
Airflow Rate	Indoor Unit (H/M/L)	26.0/23.0/19.0	26.0/23.0/19.0	30.0/24.0/20.0	
Sound Power	Indoor Unit	60	62	64	
	Outdoor Unit	69	70	69	
Sound Pressure	Indoor Unit (H/M/L)	42/38/34	44/41/37	48/42/38	
	Outdoor Unit (H/L)	54/52	56/54	54/53	
Fan/Outdoor Unit	Type	Sirocco	Sirocco	Sirocco	
	Power	W	244	244	244
	Number of Fans	-	4	4	4
Operating Temperature Range	Cooling	°C	-15-50	-15-50	-15-50
	Heating	°C	-20.0-24.0	-20.0-24.0	-20.0-24.0
Electrical Data					
Power Source	Indoor Unit	Φ, #, V, Hz	1Φ, 2, 220-240 V, 50 Hz	1Φ, 2, 220-240 V, 50 Hz	1Φ, 2, 220-240 V, 50 Hz
	Outdoor Unit Mono-Phase	Φ, #, V, Hz	1Φ, 2, 220-240 V, 50 Hz	1Φ, 2, 220-240 V, 50 Hz	1Φ, 2, 220-240 V, 50 Hz
	Outdoor Unit Tri-Phase	Φ, #, V, Hz	3Φ, 4, 380-415 V, 50 Hz	3Φ, 4, 380-415 V, 50 Hz	3Φ, 4, 380-415 V, 50 Hz
Compressor Type	Outdoor Unit	Type	Twin BLDC	Twin BLDC	Twin BLDC
	Power (Min/Nominal/Max)	kW	0.60/3.28/4.70	0.90/4.35/5.30	0.80/4.50/6.45
Current Input	Cooling (Min/Std/Max)	A	3.0/14.6/20.4	5.1/19.1/24.0	3.7/19.7/28.0
	Heating (Min/Std/Max)	A	2.5/14.2/23.0	3.9/17.0/26.0	3.5/19.8/32.0
	Cooling - Tri-Phase (Min/Std/Max)	A	1.5/5.0/7.1	1.7/6.6/10.0	2.1/7.0/10.5
Heating - Tri-Phase (Min/Std/Max)	A	1.2/5.1/8.4	1.5/6.2/12.0	1.9/7.0/12.0	
Dimensions					
Net Dimensions (W x H x D)	Indoor Unit	mm	1,650 x 235 x 675	1,650 x 235 x 675	1,650 x 235 x 675
	Outdoor Unit	mm	940 x 998 x 330	940 x 998 x 330	940 x 1,210 x 330
Net Weight	Indoor Unit	kg	42.0	42.0	41.5
	Outdoor Unit	kg	75.0	81.0	91.5
Refrigerant					
Refrigerant	Type	R32 (contains fluorinated greenhouse gases. GWP = 675)			
Factory Charging	kg	2,7/30 m	2,7/30 m	2,9/30 m	
Charging Ton equivalent CO ₂	tCO ₂ e	1.82	1.82	1.96	
Additional Refrigerant Charging	g/m	50	50	50	
Piping Connections	Liquid Pipe	ø, inch	3/8	3/8	3/8
	Gas Pipe	ø, inch	5/8	5/8	5/8
Piping Length	Min/Max	m	50	50	75
Piping Height	Max	m	30	30	30
Piping Connections	Drain Pipe	ø, mm	VP25 (OD 32, ID 25)	VP25 (OD 32, ID 25)	VP25 (OD 32, ID 25)

¹ Energy labels as shown are according to EU No 626/2011 (LOT10) label classification 2019, on a scale from D to A+++.

Dimensional drawings

Big Ceiling R32

ACT100/120/140/MCDK*/EU, ACT160/JCDEH/EU



- Accessories**
- Wireless Remote Controller
AR-EH03E
 - Touch Controller
MWR-SH11N
 - Advanced Wired Controller
MWR-WG00N/MWR-WG00KN
 - Wi-Fi Kit
MIM-H04EN
 - External Thermostat
MRW-TA

NO	Name	Description
1	Liquid pipe connection	ø9.52 (3/8)
2	Gas pipe connection	ø15.88 (5/8)
3	Drain pipe connection	VP25 (OD 32, ID 25)
4	Air Filter	
5	Air suction grille	
6	Knock-out hole for piping (upper)	
7	Knock-out hole for piping (rear)	ø28 (1 1/8)
8	Conduit Hole	ø42 (1 5/16)
9	Knock-out hole for drain hose	
10	Fresh air intake knock-out hole	
11	Cover side	
12	Knock-out hole for piping (side)	