

# Specifications

## LSP Slim Duct with Drain Pump R32

- High efficiency microchannel heat exchanger.
- Auto Restart function.
- Long-life HD 40 permanent filter is included.
- Auto ESP function.



Indoor Unit		AJ025HLPEG/EU	AJ025HLPEG/EU
<b>Capacity</b>			
Cooling	kW	2.6	3.5
Heating up to +7 °C	kW	2.9	3.8
<b>Performance</b>			
Airflow Rate	H/M/L	m <sup>3</sup> /min	91 / 77 / 57
			95 / 79 / 6.2
External Static Pressure	Min/Std/Max	Pa	0 / 19.6 / 39.2
			0 / 19.6 / 39.2
<b>Sound</b>			
Sound Power	Cooling	dB(A)	50
			50
Sound Pressure	H/M/L	dB(A)	25/29/33
			25/30/34
<b>Electrical Data</b>			
Power Source	Ø, #, V, Hz		1Ø, 2, 220-240 V, 50 Hz
			1Ø, 2, 220-240 V, 50 Hz
Power Input	Cooling	W	40
	Heating	W	40
Current Input	Cooling	A	0.4
	Heating	A	0.4
<b>Dimensions</b>			
Net Dimensions (W x H x D)	mm	700 x 199 x 440	700 x 199 x 440
Net Weight	kg	15.0	15.0
<b>Refrigerant</b>			
Refrigerant Type		R32 (Contains fluorinated greenhouse gases, GWP=675)	
Piping Connections	Liquid Pipe	ø, Inch	1/4"
	Gas Pipe	ø, Inch	3/8"
Piping Connections	Drain Pipe	ø, mm	VP25 (OD 32 ID 25)
			VP25 (OD 32 ID 25)
<b>Others</b>			
Accessories	Drain Pump		Built in
	Max. Lifting Height/ Displacement	mm / litres/h	1,200/24
	Air Filter		Removable/Washable

### Accessories

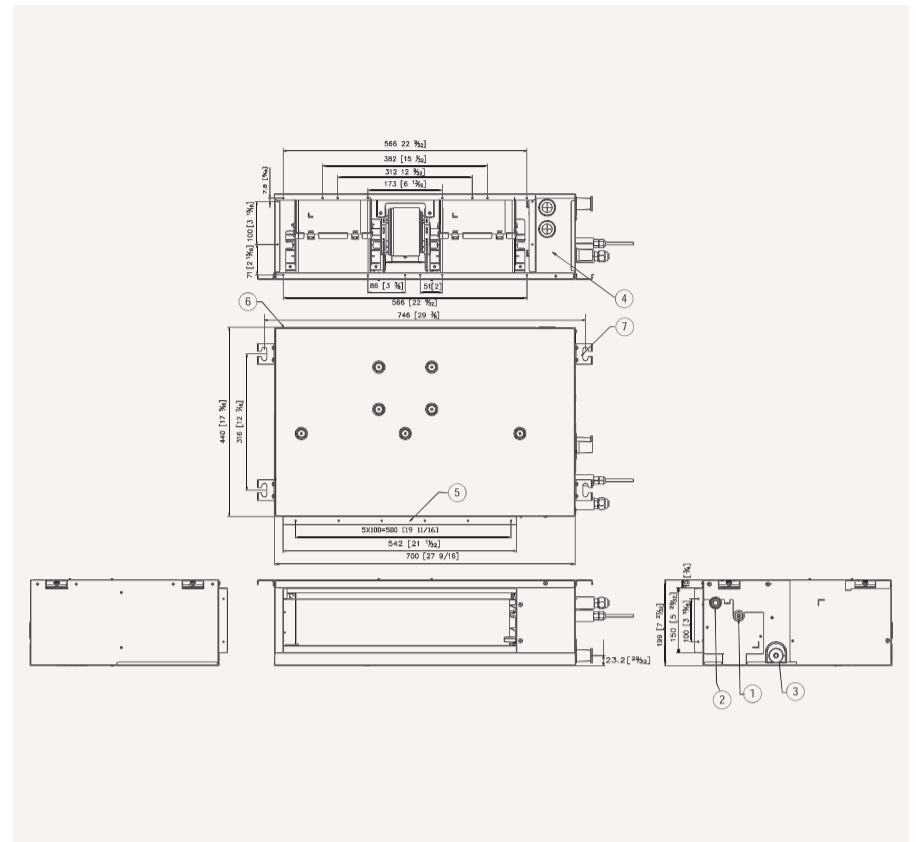


Advanced Wired Controller	Simple Type Controller	Touch Controller	Wi-Fi Kit
MWR-WG00J/MWR-WG00N	MWR-SH00N	MWR-SHT1N	MB-WI00EN

# Dimensional drawings

## LSP Slim Duct with Drain Pump

AJ025HLPEG/EU



NO	Name	Description
1	Liquid pipe connection	ø6.35
2	Gas pipe connection	ø12.7
3	Drain pipe connection without drain pump	VP 25(OD ø32, ID ø25)
4	Power supply / Communication connection	
5	Air discharge grille flange	
6	Return air side	
7	Hook	ø9.52 or M10