

# Specifications

## WindFree™ Deluxe HEE R32

- Three-step cooling: Fast Cooling mode, Dehumidification mode and WindFree™ Cooling mode
- Wi-Fi Control with SmartThings and Bixby voice controls (optional)
- Equipped with Easy Filter Plus

- Operation range from -25°C until 52°C
- 100% heating capacity at -15°C
- Base heater as standard
- Inverter PBA self-diagnosis



Indoor Unit		AC026BNAPKG/EU	AC035BNAPKG/EU	AC052BNAPKG/EU	AC071BNAPKG/EU	
Outdoor Unit - Mono-Phase		AC026RXADKG/EU	AC035BXAPKG/EU	AC052BXAPKG/EU	AC071BXAPKG/EU	
Outdoor Unit - Tri-Phase						
<b>Capacity</b>						
Cooling (Min/Nominal/Max)	kW	0.98 / 2.60 / 4.20	1.00 / 3.50 / 5.10	1.20 / 5.00 / 7.30	2.00 / 7.10 / 9.20	
Heating up to +7 °C (Min/Nominal/Max)	kW	0.91 / 3.30 / 4.50	0.93 / 4.00 / 5.40	1.00 / 6.00 / 9.40	1.60 / 8.00 / 10.50	
Heating @ -5 °C	kW	4.10	5.00	7.38	8.16	
Heating @ -15 °C	kW	3.30	4.00	6.00	8.00	
<b>Performance</b>						
Energy Efficiency Cooling	SEER <sup>1</sup>	7.2 <span style="color: green;">A++</span>	7.7 <span style="color: green;">A++</span>	7.5 <span style="color: green;">A++</span>	7.0 <span style="color: green;">A++</span>	
	Consumption	126	159	235	355	
	Pdesignc	2.6	3.5	5.0	7.1	
	EER	4.0	4.07	3.94	3.26	
Energy Efficiency Heating	SCOP <sup>1</sup>	4.3 <span style="color: green;">A+</span>	4.6 <span style="color: green;">A++</span>	4.6 <span style="color: green;">A+</span>	4.3 <span style="color: green;">A++</span>	
	Consumption	684	761	1187	1270	
	Pdesignh (average)	2.1	2.5	3.9	3.9	
	COP <sup>1</sup>	3.79	4.04	3.8	3.32	
Airflow Rate	Indoor Unit (High/Mid/Low)	m <sup>3</sup> /min	10.6 / 8.5 / 6.9	12.7 / 10.1 / 8.0	15.2 / 12.6 / 10.6	17.8 / 15.2 / 13.2
Sound Power	Indoor Unit	dB(A)	56	58	58	61
	Outdoor Unit	dB(A)	59	61	63	64
Sound Pressure	Indoor Unit (Silent/Low/Mid/High)	dB(A)	36 / 30 / 24 / 21	40 / 34 / 28 / 23	42 / 37 / 32 / 25	44 / 39 / 35 / 30
	Outdoor Unit	dB(A)	45/45	46/46	47/48	47/48
Fan/Outdoor Unit	Type	BLDC	BLDC	BLDC	BLDC	
	Power	W	125	125	125	
	Number	EA	1	1	1	
Operating Temperature Range	Cooling	°C	-20~52	-20~52	-20~52	
	Heating	°C	-25.0~24.0	-25.0~24.0	-25.0~24.0	
<b>Electrical Data</b>						
Power Source	Indoor Unit	Φ, #, V, Hz	1Φ, 2, 220~240 V, 50 Hz	1Φ, 2, 220~240 V, 50 Hz	1Φ, 2, 220~240 V, 50 Hz	
	Outdoor Unit 1P	Φ, #, V, Hz	1Φ, 2, 220~240 V, 50 Hz	1Φ, 2, 220~240 V, 50 Hz	1Φ, 2, 220~240 V, 50 Hz	
	Outdoor Unit 3P	Φ, #, V, Hz	-	-	3Φ, 4, 380~415 V, 50 Hz	
Compressor Type	Outdoor Unit	Type	Twin BLDC Rotary	Twin BLDC Rotary	Twin BLDC Rotary	
Power (Min/Nominal/Max)	Cooling	kW	0.21 / 0.65 / 1.41	0.22 / 0.86 / 2.10	0.25 / 1.27 / 2.41	0.46 / 2.18 / 3.10
	Heating	kW	0.19 / 0.87 / 2.45	0.19 / 0.99 / 2.50	0.23 / 1.58 / 3.40	0.37 / 2.41 / 4.50
Current Input	Cooling (Min/Std/Max)	A	1.4 / 3.2 / 6.2	1.4 / 4.1 / 9.2	1.6 / 5.9 / 10.6	2.4 / 10.0 / 14.0
	Heating (Min/Std/Max)	A	1.3 / 4.1 / 10.8	1.3 / 4.6 / 11.4	1.5 / 7.2 / 14.9	2.6 / 10.9 / 19.8
	Cooling - Tri-Phase (Min/Std/Max)	A	-	-	-	1.1 / 3.7 / 5.3
	Heating - Tri-Phase (Min/Std/Max)	A	-	-	-	0.8 / 4.0 / 7.3



Indoor Unit		AC026BNAPKG/EU	AC035BNAPKG/EU	AC052BNAPKG/EU	AC071BNAPKG/EU
Outdoor Unit - Mono-Phase		AC026RXADKG/EU	AC035BXAPKG/EU	AC052BXAPKG/EU	AC071BXAPKG/EU
Outdoor Unit - Tri-Phase					
<b>Dimensions</b>					
Net Dimensions (W x H x D)	Indoor Unit	mm	889 x 215 x 299	889 x 215 x 299	1,055 x 215 x 299
	Outdoor Unit	mm	880 x 638 x 310	880 x 638 x 310	880 x 798 x 310
	Indoor Unit	kg	10.6	10.6	12.7
	Outdoor Unit	kg	43	43	50
<b>Refrigerant</b>					
Refrigerant	Type	R32 (contains fluorinated greenhouse gases, GWP = 675)			
	Factory charging	kg	1.2/20 m	1.2/20 m	1.7/20 m
	Charging ton equivalent CO <sub>2</sub>	tCO <sub>2</sub> e	0.81	0.81	1.15
	Additional refrigerant charging	g / m	-	-	-
Piping Connections	Liquid Pipe	Ø Inch	1/4	1/4	1/4
	Gas Pipe	Ø Inch	3/8	3/8	1/2
Piping Length	Min/Max	m	5 / 30	5 / 30	5 / 50
Piping Height	Max	m	20	20	30
Piping Connections	Drain pipe	Ø mm	ID18	ID18	ID18

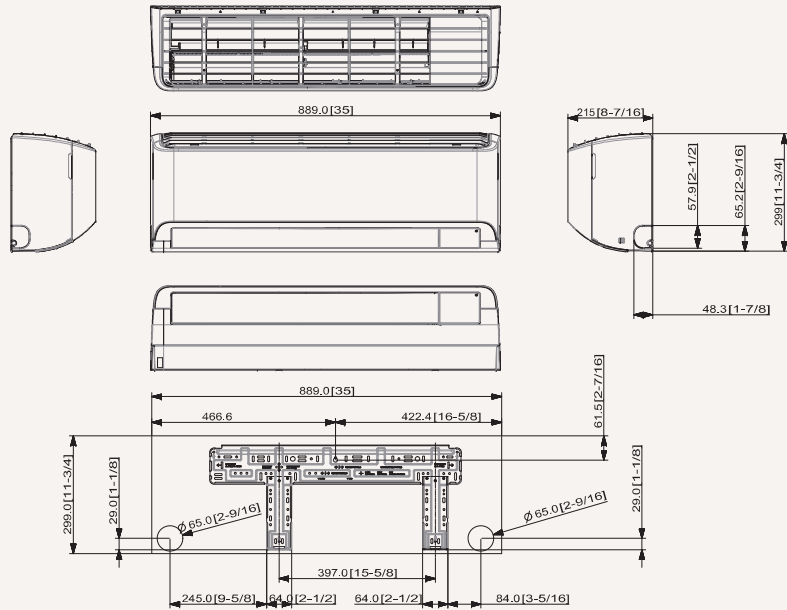
Accessories				
Wireless Remote Controller	Touch Controller	Advanced Wired Remote Controller	Touch Centralised Controller	Wi-Fi Kit
AR-EH04E	MWR-SH11N	MWR-WG00JN/MWR-WG00KN	MCM-A300N	MIM-H04EN
External Thermostat	DMS 2.5	BACnet/Lonworks/PIM	ON/OFF Controller	
MRW-TA	MIM-D01AN	MIM-B17BN/B18BN/B16N	MCM-A202DN	

<sup>1</sup> Energy labels as shown are according to EU No 626/2011 (LOT10) label classification 2019, on a scale from D to A+++.

# Dimensional drawings

WindFree™ Deluxe HEE R32

AC026/0355BNAPKG/EU



WindFree™ Deluxe HEE R32

AC052/0718NAPKG/EU

