

# Specifications

## MSP Duct HEE R32

- Smart pressure control with a range from 0 to 150Pa.
- Long-life washable permanent filter is included.
- Auto Restart function.
- Optional: Built-in condensation drain pump (750 mmH<sub>2</sub>O).

- Operation range from -25°C until 52°C
- 100% heating capacity at -15°C
- Base heater as standard
- Inverter PBA self-diagnosis



Indoor Unit		AC035BNMPKG/EU	AC052BNMPKG/EU	AC071BNMPKG/EU	AC100BNMPKG/EU	AC120BNMPKG/EU	AC140BNMPKG/EU	
Outdoor Unit - Mono-Phase		AC035BXAPKG/EU	AC052BXAPKG/EU	AC071BXAPKG/EU	AC100BXAPKG/EU	AC120BXAPKG/EU	AC140BXAPKG/EU	
Outdoor Unit - Tri-Phase		-	-	AC071BXAPNG/EU	AC100BXAPNG/EU	AC120BXAPNG/EU	AC140BXAPNG/EU	
<b>Capacity</b>								
Cooling (Min/Nominal/Max)	kW	0.80/3.50/5.30	1.20/5.00/7.50	2.20/6.80/9.50	4.00/10.00/12.80	4.10/12.10/14.00	4.10/13.40/16.00	
	Heating @ +7°C (Min/Nominal/Max)	0.78/4.00/5.70	1.10/6.00/9.50	1.90/8.00/10.50	3.10/11.20/17.30	3.10/13.20/22.00	3.10/15.50/24.00	
	Heating @ -5°C	5.16	7.38	10.00	13.78	16.24	19.07	
	Heating @ -15°C	4.20	6.00	9.20	13.00	14.00	14.50	
<b>Performance</b>								
Energy Efficiency Cooling	SEER <sup>1</sup>	7.0 <span style="color: green;">A++</span>	7.0 <span style="color: green;">A++</span>	7.3 <span style="color: green;">A++</span>	7.6 <span style="color: green;">A+</span>	7.4 <span style="color: green;">A+</span>	7.1 <span style="color: green;">A+</span>	
	Power Consumption	175	206	326	-	-	-	
	Pdesignc	3.5	5.0	6.8	10.0	12.1	13.4	
	EER	3.72	3.73	4.02	4.07	3.72	3.48	
Energy Efficiency Heating	SCOP <sup>1</sup>	4.3 <span style="color: green;">A+</span>	4.6 <span style="color: green;">A++</span>	4.3 <span style="color: green;">A+</span>	4.4 <span style="color: green;">A+</span>	4.0 <span style="color: green;">A+</span>	4.0 <span style="color: green;">A+</span>	
	Power Consumption	749	1171	11530	-	-	-	
	Pdesignh (average)	2.3	4.1	4.7	7.8	9.5	9.5	
	COP <sup>1</sup>	3.64	3.85	3.79	4.07	4.0	3.63	
Airflow Rate	Indoor Unit (H/M/L)	m <sup>3</sup> /min	10.4/9.2/8.0	15.5/12.0/9.5	20.0/16.0/12.0	30.6/26.2/21.8	33.2/27.2/21.2	33.2/27.2/21.2
Sound Power	Indoor Unit	dB(A)	52	49	56	58	62	
	Outdoor Unit	dB(A)	61	63	64	66	70	
Sound Pressure	Indoor Unit (H/M/L)	dB(A)	28/25/22	29/26/23	30/27/24	34/32/30	37/34/30	
	Outdoor Unit (H/L)	dB(A)	46/46	48/46	49/47	50/47	56/54	
Fan/Outdoor Unit	Type		BLDC	BLDC	BLDC	BLDC	BLDC	
	Power	W	125	125	125	125	125	
	Number of Fans	-	1	1	1	2	2	
External Static Pressure	Min/Std/Max	Pa	0.00/25.00/147.00	0.00/30.00/147.00	0.00/30.00/147.00	0.00/39.20/147.00	0.00/51.00/147.00	
	Operating Temperature Range	Cooling	°C	-20-52	-20-52	-20-52	-20-52	-20-52
	Heating	°C	-25.0-24.0	-25.0-24.0	-25.0-24.0	-25.0-24.0	-25.0-24.0	
<b>Electrical Data</b>								
Power Source	Indoor Unit	Ø, #, V, Hz	1Ø, 2, 220-240V, 50Hz	1Ø, 2, 220-240V, 50Hz	1Ø, 2, 220-240V, 50Hz	1Ø, 2, 220-240V, 50Hz	1Ø, 2, 220-240V, 50Hz	
	Outdoor Unit Mono-Phase	Ø, #, V, Hz	1Ø, 2, 220-240V, 50Hz	1Ø, 2, 220-240V, 50Hz	1Ø, 2, 220-240V, 50Hz	-	-	
	Outdoor Unit Tri-Phase	Ø, #, V, Hz	-	-	3Ø, 4, 380-415V, 50Hz	3Ø, 4, 380-415V, 50Hz	3Ø, 4, 380-415V, 50Hz	
Compressor Type	Outdoor Unit	Type	Twin BLDC Rotary	Twin BLDC Rotary	Twin BLDC Rotary	Twin BLDC Rotary	Twin BLDC Rotary	
	Power (Min/Nominal/Max)	kW	0.21/0.94/2.10	0.29/1.34/2.45	0.49/1.69/3.30	0.73/2.46/5.60	0.78/3.25/4.35	0.78/3.85/5.10
Current Input	Heating	kW	0.19/1.10/2.70	0.24/1.56/3.55	0.38/2.11/4.50	0.62/2.75/6.20	0.62/3.30/7.30	
	Cooling (Min/Std/Max)	A	1.4/4.5/9.2	1.9/6.2/10.8	2.6/8.0/14.9	3.9/11.2/15.9	-	
	Heating (Min/Std/Max)	A	1.3/5.1/11.9	1.6/7.1/15.6	2.7/9.8/19.8	3.2/12.4/22.2	-	
	Cooling - Tri-Phase (Min/Std/Max)	A	-	-	1.1/3.0/5.5	1.5/3.8/5.5	1.6/5.1/6.7	
Heating - Tri-Phase (Min/Std/Max)	A	-	-	0.8/3.6/7.3	1.4/4.3/9.1	1.4/5.2/11.2		
<b>Dimensions</b>								
Net Dimensions (W x H x D)	Indoor Unit	mm	850 x 250 x 700	850 x 250 x 700	1,200 x 250 x 700	1,300 x 300 x 700	1,300 x 300 x 700	
	Outdoor Unit	mm	880 x 638 x 310	880 x 798 x 310	940 x 998 x 330	940 x 1420 x 330	940 x 1420 x 330	
Net Weight	Indoor Unit	kg	26.5	26.5	34.5	38.5	38.5	
	Outdoor Unit	kg	43	50	75	100	100	

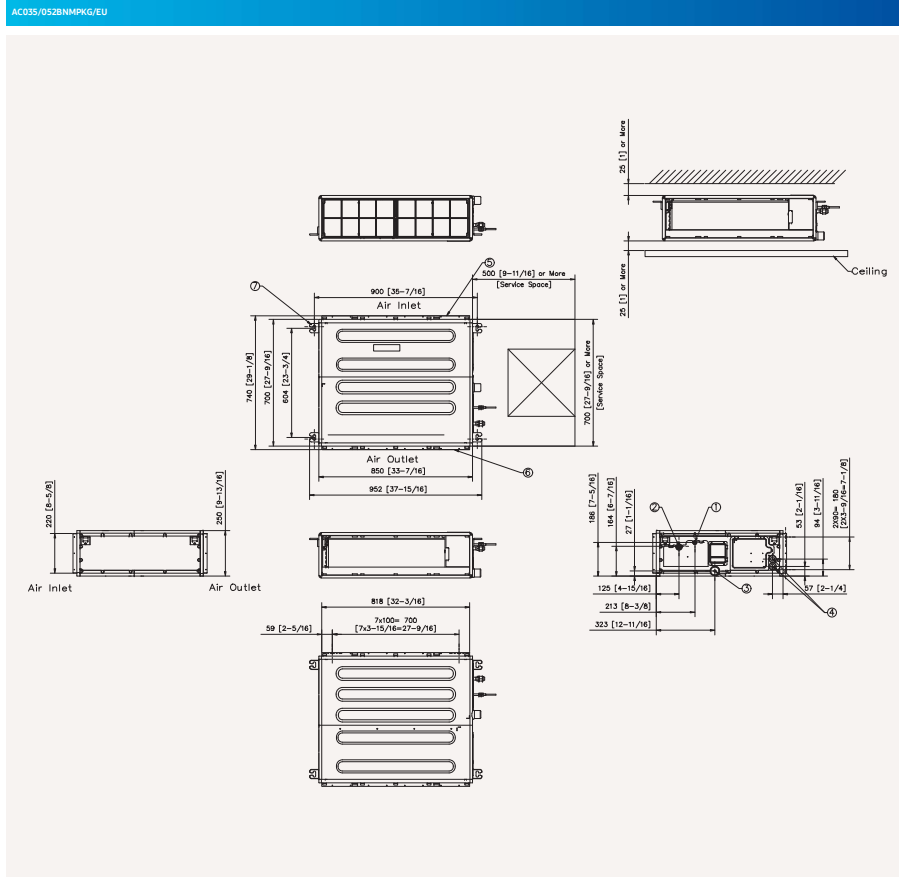
Indoor Unit		AC035BNMPKG/EU	AC052BNMPKG/EU	AC071BNMPKG/EU	AC100BNMPKG/EU	AC120BNMPKG/EU	AC140BNMPKG/EU
Outdoor Unit - Mono-Phase		AC035BXAPKG/EU	AC052BXAPKG/EU	AC071BXAPKG/EU	AC100BXAPKG/EU	AC120BXAPKG/EU	AC140BXAPKG/EU
Outdoor Unit - Tri-Phase		-	-	AC071BXAPNG/EU	AC100BXAPNG/EU	AC120BXAPNG/EU	AC140BXAPNG/EU
<b>Refrigerant</b>							
Refrigerant	Type	R32 (contains fluorinated greenhouse gases. GWP = 675)					
Factory Charging	kg	1.2/20 m	1.7/30 m	2.7/30 m	3.5/30 m	3.5/30 m	3.5/30 m
	Charging Ton equivalent CO <sub>2</sub>	0.81	1.15	1.82	2.36	2.36	2.36
Additional Refrigerant Charging		g/m	-	-	-	-	-
Piping Connections	Liquid Pipe	ø, inch	1/4	1/4	3/8	3/8	3/8
	Gas Pipe	ø, inch	3/8	1/2	5/8	5/8	5/8
Piping Length	Min/Max	m	5/30	5/50	5/55	5/85	5/85
	Max	m	20	30	30	30	30
Piping Connections	Drain Pipe	ø, mm	VP 25 (OD 32, ID 25)	VP 25 (OD 32, ID 25)	VP 25 (OD 32, ID 25)	VP 25 (OD 32, ID 25)	VP 25 (OD 32, ID 25)
<b>Others</b>							
Panel	Model Code	-	-	-	-	-	-
	Net Dimensions (W x H x D)	mm	-	-	-	-	-
	Net Weight	kg	-	-	-	-	-
Accessories	Drain Pump	MDP-G075SP/MDP-G075SQ	MDP-G075SP/MDP-G075SQ	MDP-G075SP/MDP-G075SQ	MDP-G075SP/MDP-G075SQ	MDP-G075SP/MDP-G075SQ	MDP-G075SP/MDP-G075SQ
	Max. Lifting Height/Displacement	mm / litres/h	750/24	750/24	750/24	750/24	750/24

Accessories			
Drain Pump (optional)	Drain Pump (optional)	Wireless Remote Controller AR-EH04E (to be matched with MRK-A10N)	Touch Controller MWR-SH11N
Advanced Wired Controller MWR-WG00JN/ MWR-WG00KN	Wi-Fi Kit MIM-H04EN	Wireless Receiver Kit MRK-A10N (to be matched with AR-EH04E)	External Thermostat MRW-TA
Touch Centralised Controller MCM-A300N	DMS 2.5 MIM-D01AN	BACnet/Lonworks/PIM MIM-B17BN/18BN/16AN	ON/OFF Controller MCM-A202DN

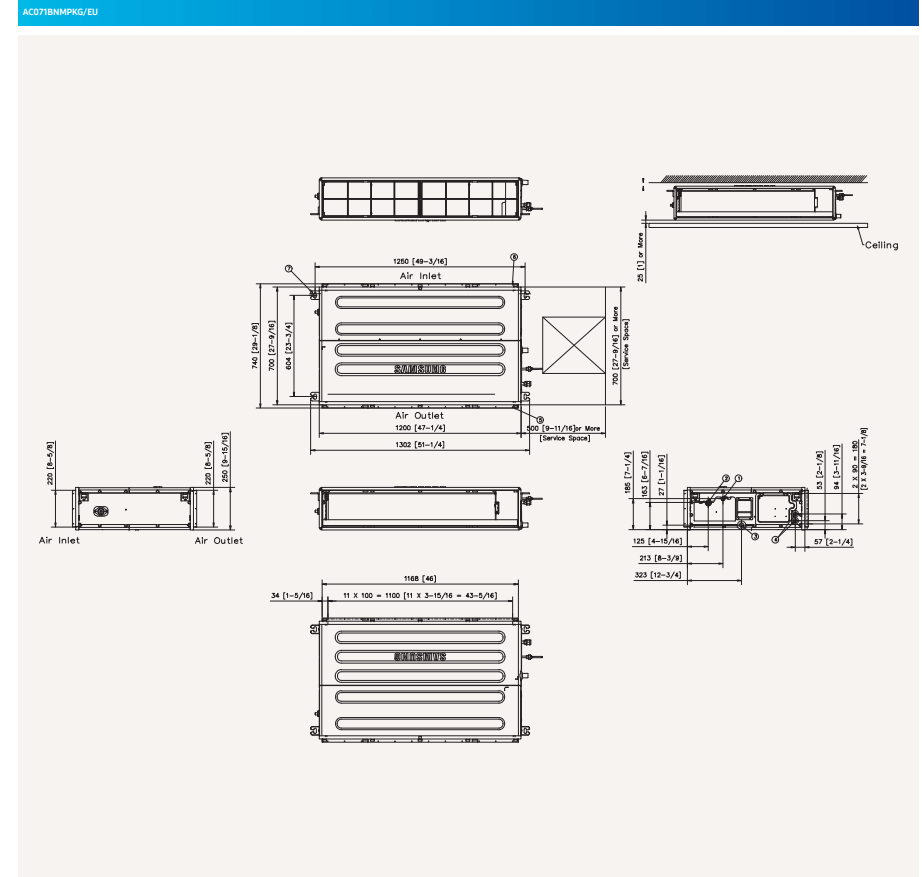
<sup>1</sup> Energy labels as shown are according to EU No 626/2011 (LOT10) label classification (on 2019), on a scale from D to A+++.

# Dimensional drawings

MSP Duct HEE R32



MSP Duct HEE R32



# Dimensional drawings

MSP Duct HEE R32

AC0100/120/140BNMPKG/EU

