

Specifications

CAC 360 Cassette HEE R32

- 360° air supply.
- Bladeless discharge thanks to three small booster fans.
- Built-in condensation drain pump (750 mmH₂O).
- High ceiling mode for heights up to 4.6 m (12.8/14.0 kW), 3.9 m (11.2 kW), 3.5 m (4.5-9.0 kW).
- Compatible with Samsung Air purification panel and Auto elevation panel

- Operation range from -25°C until 52°C
- Single Wi-Fi kit (optional)
- 100% heating capacity at -15°C
- Base heater as standard
- Inverter PBA self-diagnosis



Indoor Unit		AC052B6PKG/EU	AC071B6PKG/EU	AC100B6PKG/EU	AC120B6PKG/EU	AC140B6PKG/EU	
Outdoor Unit - Mono-Phase		AC052BXPAG/EU	AC071BXPAG/EU	AC100BXPAG/EU	AC120BXPAG/EU	AC140BXPAG/EU	
Outdoor Unit - Tri-Phase		-	AC071BXPAG/EU	AC100BXPAG/EU	AC120BXPAG/EU	AC140BXPAG/EU	
Capacity							
Cooling (Min/Nominal/Max)	kW	1.20/5.00/7.50	2.10/7.10/9.80	3.80/10.00/12.50	4.10/12.10/14.00	3.50/13.40/15.50	
Heating @ +7°C (Min/Nominal/Max)	kW	1.00/6.00/9.30	2.00/8.00/12.70	3.20/11.20/18.80	3.20/13.20/20.00	3.20/15.50/21.00	
Heating @ -5°C	kW	7.38	11.84	13.78	16.24	19.07	
Heating @ -15°C	kW	6.00	9.20	13.00	14.0	14.50	
Performance							
SEER ¹	W/W	6.7 ▲ A++	7.8 ▲ A++	7.6 ▲ A++	7.3	7.1	
Power Consumption	kWh/a	211	319	461	-	-	
P _{design} (average)	kW	5	7.1	10	12.1	13.4	
EER	W/W	4.1	4.15	4.13	3.9	3.67	
SCOP ¹	W/W	4.2 ▲ A++	4.6 ▲ A++	4.8 ▲ A++	4.4	4.4	
Power Consumption	kWh/a	1187	1522	2435	-	-	
P _{design} (average)	kW	3.9	5	8	9.2	9.2	
COP ¹	W/W	3.7	4.08	4.07	3.77	3.41	
Airflow Rate	Indoor Unit (H/M/L)	m ³ /min	15.5 / 14.6 / 13.6	21.1 / 17.8 / 15.6	33.4 / 26.7 / 20.1	34.5 / 27.8 / 21.1	35.6 / 29.0 / 23.3
Sound Power	Indoor Unit	dB(A)	49	52	61	61	62
	Outdoor Unit	dB(A)	63	64	66	69	70
Sound Pressure	Indoor Unit (H/M/L)	dB(A)	33/31/29	35/32/29	44/39/33	45/40/35	45/41/37
	Outdoor Unit (H/L)	dB(A)	48/47	49/47	50/47	52/49	52/50
Fan/Outdoor Unit	Type		BLDC	BLDC	BLDC	BLDC	
	Power	W	125	125	125	125	
	Number of Fans	-	1	1	2	2	
Operating Temperature Range	Cooling	°C	-20~52	-20~52	-20~52	-20~52	
	Heating	°C	-25.0~24.0	-25.0~24.0	-25.0~24.0	-25.0~24.0	
Electrical Data							
Power Source	Indoor Unit	Φ, #, V, Hz	10, 2, 220~240 V, 50 Hz	10, 2, 220~240 V, 50 Hz	10, 2, 220~240 V, 50 Hz	10, 2, 220~240 V, 50 Hz	
	Outdoor Unit Mono-Phase	Φ, #, V, Hz	10, 2, 220~240 V, 50 Hz	10, 2, 220~240 V, 50 Hz	10, 2, 220~240 V, 50 Hz	-	
	Outdoor Unit Tri-Phase	Φ, #, V, Hz	-	30, 4, 380~415 V, 50 Hz	30, 4, 380~415 V, 50 Hz	30, 4, 380~415 V, 50 Hz	
Compressor Type	Outdoor Unit	Type	Twin BLDC Rotary	Twin BLDC Rotary	Twin BLDC Rotary	Twin BLDC Rotary	
	Cooling	kW	0.24/1.22/2.45	0.45/1.71/3.15	0.75/2.42/3.25	0.75/3.10/4.30	
	Heating	kW	0.20/1.62/3.05	0.37/1.96/4.45	0.59/2.75/6.40	0.59/3.50/7.90	
Current Input	Cooling (Min/Std/Max)	A	1.6/5.7/10.8	3.0/8.1/14.0	4.1/11.1/14.7	-	
	Heating (Min/Std/Max)	A	1.4/7.4/13.5	2.5/9.1/19.7	3.2/12.5/22.9	-	
	Cooling - Tri-Phase (Min/Std/Max)	A	-	1.0/3.0/5.2	1.4/4.1/5.2	1.4/5.0/6.7	
	Heating - Tri-Phase (Min/Std/Max)	A	-	0.8/3.3/7.1	1.2/4.6/9.3	1.2/5.1/11.5	
Dimensions							
Net Dimensions (W x H x D)	Indoor Unit	mm	947 x 281 x 947	947 x 365 x 947	947 x 365 x 947	947 x 365 x 947	
	Outdoor Unit	mm	880 x 798 x 310	940 x 798 x 330	940 x 1420 x 330	940 x 1420 x 330	
Net Weight	Indoor Unit	kg	20.2	25.5	25.5	25.5	
	Outdoor Unit	kg	50	75	100	100	

Indoor Unit		AC052B6PKG/EU	AC071B6PKG/EU	AC100B6PKG/EU	AC120B6PKG/EU	AC140B6PKG/EU
Outdoor Unit - Mono-Phase		AC052BXPAG/EU	AC071BXPAG/EU	AC100BXPAG/EU	AC120BXPAG/EU	AC140BXPAG/EU
Outdoor Unit - Tri-Phase		-	AC071BXPAG/EU	AC100BXPAG/EU	AC120BXPAG/EU	AC140BXPAG/EU
Refrigerant						
Refrigerant	Type	R32 (contains fluorinated greenhouse gases. GWP = 675)				
Factory Charging	kg	1.7/20 m	2.7/30 m	3.5/30 m	3.5/30 m	3.5/30 m
	tCO ₂ e	115	1.82	2.36	2.36	2.36
	Additional Refrigerant Charging	g/m	-	-	-	-
Piping Connections	Liquid Pipe	e, inch	1/4	3/8	3/8	3/8
	Gas Pipe	e, inch	1/2	5/8	5/8	5/8
Piping Length	Min/Max	m	5 / 50	5 / 55	5 / 85	5 / 85
Piping Height	Max	m	30	30	30	30
Piping Connections	Drain Pipe	e, mm	VP25 (OD 32, ID 25)	VP25 (OD 32, ID 25)	VP25 (OD 32, ID 25)	VP25 (OD 32, ID 25)
Others						
Panel	Model Code	PC4NUNMAN	PC4NUNMAN	PC4NUNMAN	PC4NUNMAN	PC4NUNMAN
		PC4NBNMAN	PC4NBNMAN	PC4NBNMAN	PC4NBNMAN	PC4NBNMAN
		PC4NUDMAN	PC4NUDMAN	PC4NUDMAN	PC4NUDMAN	PC4NUDMAN
Net Dimensions (W x H x D)	mm	ø1,050 x 94	ø1,050 x 94	ø1,050 x 94	ø1,050 x 94	ø1,050 x 94
	kg	2.7	2.7	2.7	2.7	2.7
Accessories	Drain Pump	Included	Included	Included	Included	Included
	Max. Lifting Height/Displacement	mm / litre/h	750/24	750/24	750/24	750/24

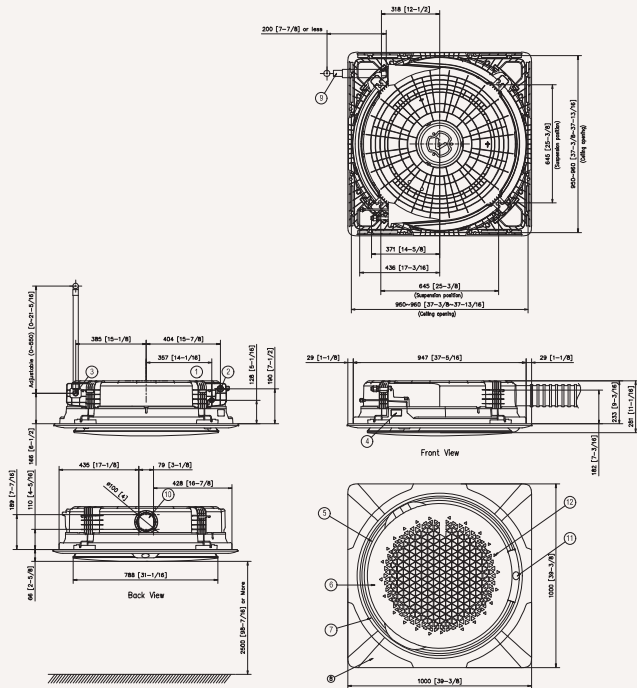
Accessories					
Wireless Remote Controller	Simple Type Controller	Touch Controller	Advanced Wired Controller	Touch Centralised Controller	DMS 2.5
AR-KH04E	MWR-SH00N	MWR-SH11N	MWR-WG00JN/MWR-WG00KN	MCM-A300N	MIM-D01AN
BACnet/Lonworks/PM	ON/OFF Controller	Wi-Fi Kit	Single Wi-Fi Kit	External Thermostat	Motion Detect Sensor for PC4NUDMAN
MIM-B17BN/B18BN/B16N	MCM-A202DN	MIM-H04EN	MIM-H14EN	MRW-TA	MCR-SME
Panel (Mandatory)	Panel (Mandatory)	Panel (Mandatory)	Panel (Mandatory)	Auto Elevation Panel	Air Purification Panel
PC4NUNMAN	PC4NUNMAN	PC4NBDMAN	PC4NBNMAN	PC6EUXMAN	PC6EUCMAN

¹ Energy labels as shown are according to EU No 626/2011 (LOT10) label classification 2019, on a scale from D to A+++.

Dimensional drawings

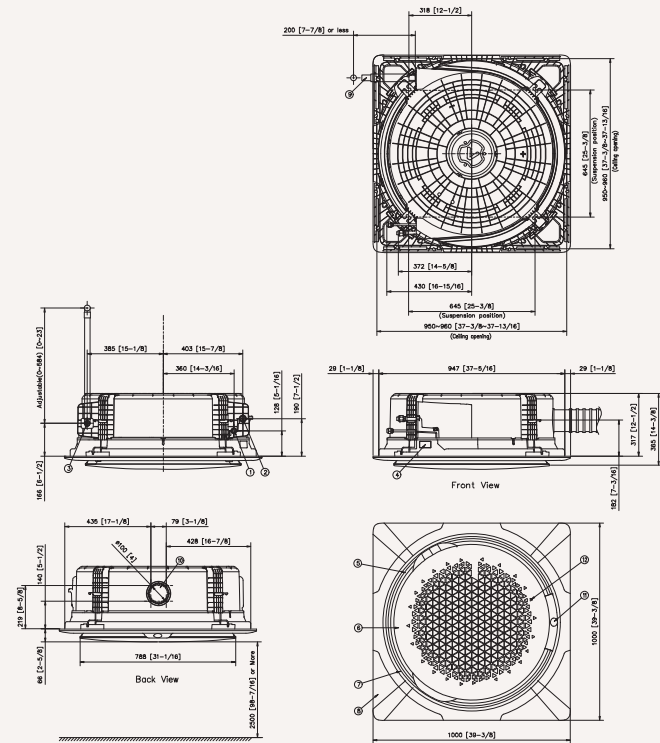
360 Cassette (square) HEE R32

AC052B64PKG/EU



NO	Name	Description
1	Liquid pipe connection	Φ6.35(1/4)
2	Gas pipe connection	Φ12.7(1/2)
3	Drain pipe connection	VP-25(OD32, ID25)
4	Power supply/communication wiring conduits	
5	Air Discharge opening	
6	Air suction grille	
7	Suction rim for Booster fan	
8	Decoration cover	
9	Drain hose(Accessory)	
10	Fresh air intake knockout hole	Use M4 Screw
11	Display window	
12	Remote controller receiver	

AC071/100/120/140B64PKG/EU

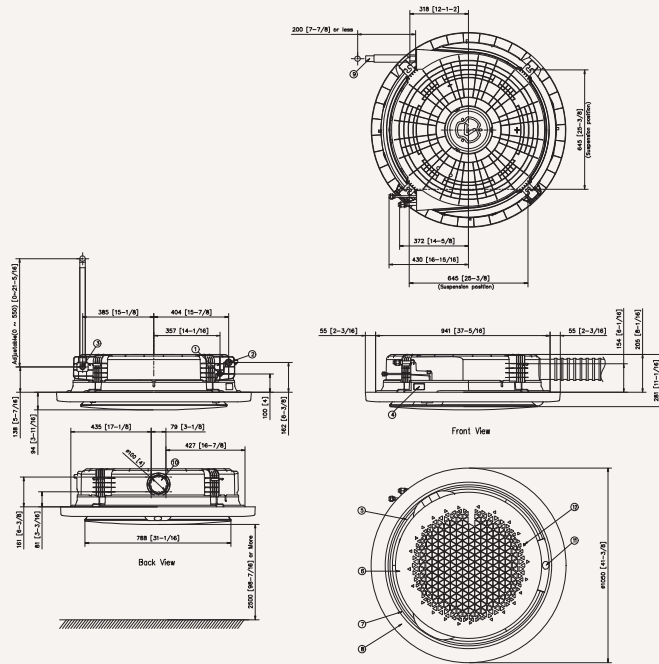


NO	Name	Description
1	Liquid pipe connection	Φ9.52(3/8)
2	Gas pipe connection	Φ15.88(5/8)
3	Drain pipe connection	VP-25(OD32, ID25)
4	Power supply/communication wiring conduits	
5	Air Discharge opening	
6	Air suction grille	
7	Suction rim for Booster fan	
8	Decoration cover	
9	Drain hose(Accessory)	
10	Fresh air intake knockout hole	Use M4 Screw
11	Display window	
12	Remote controller receiver	

Dimensional drawings

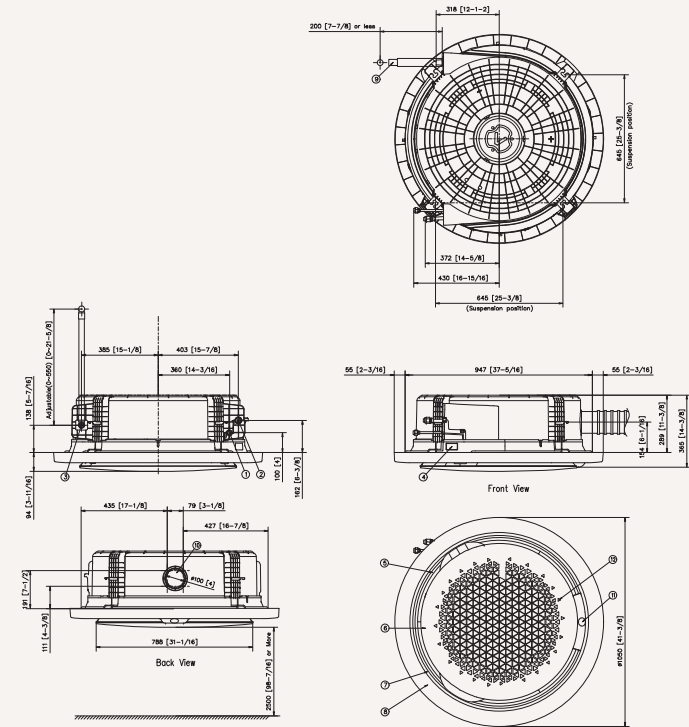
360 Cassette (circle) HEE R32

AC052BM6PKG/EU



NO	Name	Description
1	Liquid pipe connection	Φ6.35(1/4)
2	Gas pipe connection	Φ12.7(1/2)
3	Drain pipe connection	VP-25(OD32, ID25)
4	Power supply/communication wiring conduits	
5	Air Discharge opening	
6	Air suction grille	
7	Suction rim for Booster fan	
8	Decoration cover	
9	Drain hose(Accessory)	
10	Fresh air intake knockout hole	Use M4 Screw
11	Display window	
12	Remote controller receiver	

AC071100/120/140BM6PKG/EU



NO	Name	Description
1	Liquid pipe connection	Φ9.52(3/8)
2	Gas pipe connection	Φ15.88(5/8)
3	Drain pipe connection	VP-25(OD32, ID25)
4	Power supply/communication wiring conduits	
5	Air Discharge opening	
6	Air suction grille	
7	Suction rim for Booster fan	
8	Decoration cover	
9	Drain hose(Accessory)	
10	Fresh air intake knockout hole	Use M4 Screw
11	Display window	
12	Remote controller receiver	