

# Specifications

Cebu **R32**

- AI Auto Comfort.
- Wi-Fi Control with Samsung SmartThings and Bixby voice controls.
- Compressor with Digital Inverter Boost technology.
- Direct drive fan powered by a BLDC motor.

- Triple Protector Plus to protect compressor, fan and controller from power surges.
- Compatible with wired remote controller. The centralized controller is only compatible with bigger capacity ODU<sup>2</sup>.



Indoor Unit			AR09TXFYAWKNEU	AR12TXFYAWKNEU	AR18TXFYAWKNEU	AR24TXFYAWKNEU
Outdoor Unit			AR09TXFYAWKXEU	AR12TXFYAWKXEU	AR18TXFYAWKXEU	AR24TXFYAWKXEU
<b>Capacity</b>						
Capacity	Cooling (Nominal)	kW	2.5	3.5	5.0	6.5
	Cooling (Min-Max)	kW	0.9-3.4	0.9-4.0	1.6-6.7	1.4-7.6
	Heating @ +7 °C	kW	3.2	3.5	6.0	7.4
	Heating (Min-Max)	kW	0.9-4.5	0.9-5.0	1.3-8.0	1.2-9.4
	Heating @ -5 °C	kW	2.74	3.09	4.84	6.00
	Heating @ -10 °C	kW	2.48	2.87	4.57	5.55
	Heating @ -15 °C	kW	2.29	2.58	4.58	5.66
<b>Performance</b>						
Energy Efficiency Cooling	SEER <sup>1</sup>	W/W	6.7/ <b>A++</b>	6.5/ <b>A++</b>	6.8/ <b>A++</b>	6.4/ <b>A++</b>
	Power Consumption	kWh/a	131	188	257	355
	Pdesignc	kW	2.5	3.5	5.0	6.5
	EER	W/W	3.57	2.87	3.60	3.33
Energy Efficiency Heating	SCOP <sup>1</sup>	W/W	4.0/ <b>A+</b>	4.0/ <b>A+</b>	3.8/ <b>A</b>	4.0/ <b>A</b>
	Power Consumption	kWh/a	735	770	1,400	1,511
	Pdesignh (average)	kW	2.1	2.2	3.8	4.1
	COP <sup>1</sup>	W/W	3.81	3.72	3.53	3.15
Moisture Removal		l/h	1.0	1.5	2.0	2.5
Maximum Airflow (Cooling)	Indoor Unit	m <sup>3</sup> /min	10.5	10.9	16.5	17.2
	Outdoor Unit	m <sup>3</sup> /min	28.0	28.0	50.0	50.0
Sound Power	Indoor Unit (Cooling)	dB(A)	54	56	58	62
	Outdoor Unit (Cooling)	dB(A)	63	64	65	68
Sound Pressure	Indoor Unit High/Silent Mode	dB(A)	37/19	38/19	41/25	45/26
	Outdoor Unit High	dB(A)	46	47	51	54
Operating Temperature Range	Cooling	°C	-10-46	-10-46	-10-46	-10-46
	Heating	°C	-15-24	-15-24	-15-24	-15-24
<b>Electrical Data</b>						
Power Source		Φ, V, Hz	1Φ, 220-240 V, 50 Hz	1Φ, 220-240 V, 50 Hz	1Φ, 220-240 V, 50 Hz	1Φ, 220-240 V, 50 Hz
Compressor Type	Outdoor Unit	Type	BLDC Rotary	BLDC Rotary	BLDC Rotary	BLDC Rotary
Power Consumption	Cooling	W	700	1,220	1,390	1,950
	Heating	W	840	940	1,700	2,350
Operating Current	Cooling	A	3.6	5.6	6.4	8.8
	Heating	A	4.0	4.5	7.8	10.5
<b>Dimensions</b>						
Net Dimensions (W x H x D)	Indoor Unit	mm	820 x 299 x 215	820 x 299 x 215	1,055 x 299 x 215	1,055 x 299 x 215
	Outdoor Unit	mm	660 x 475 x 242	660 x 475 x 242	880 x 638 x 310	880 x 638 x 310
Net Weight	Indoor Unit	kg	9.1	9.1	11.5	11.6
	Outdoor Unit	kg	22.6	22.6	39.7	43.2
<b>Refrigerant</b>						
Refrigerant	Type		R32 (contains fluorinated greenhouse gases. GWP = 675)			
	Charging (for 5 m)	kg	0.70	0.70	1.30	1.30
	Charging Ton Equivalent CO <sub>2</sub>	tCO <sub>2</sub> e	0.47	0.47	0.88	0.88
	Additional Refrigerant Charging	g/m	15	15	15	15
Piping Connections	Liquid Pipe	ø, mm (inch)	6.35 (1/4)	6.35 (1/4)	6.35 (1/4)	6.35 (1/4)
	Gas Pipe	ø, mm (inch)	9.52 (3/8)	9.52 (3/8)	12.70 (1/2)	15.88 (5/8)
Piping Length	Min/Max (ODU to IDU)	m	3/15	3/15	3/15	3/15
Piping Height	Max	m	8	8	8	8
Piping Connections	Drain Pipe	ø, mm	ø16.3, 550 mm	ø16.3, 550 mm	ø16.3, 550 mm	ø16.3, 550 mm



Indoor Unit			AR09TXFYAWKNEU	AR12TXFYAWKNEU	AR18TXFYAWKNEU	AR24TXFYAWKNEU
Outdoor Unit			AR09TXFYAWKXEU	AR12TXFYAWKXEU	AR18TXFYAWKXEU	AR24TXFYAWKXEU
<b>Functions</b>						
Airflow	WindFree™ Cooling					
	Air Direction Control (Up/Down)		Auto	Auto	Auto	Auto
	Air Direction Control (Left/Right)		Manual	Manual	Manual	Manual
	Auto Fan Speed		•	•	•	•
Air Purification	Tri-Care Filter		•	•	•	•
	Easy Filter Plus		•	•	•	•
	Auto Clean (Self-Cleaning)		•	•	•	•
Operating Mode	AI Auto Comfort with Wi-Fi & MDS (direct/indirect)		•	•	•	•
	AI Auto Comfort with Wi-Fi		•	•	•	•
	Auto Mode (without Wi-Fi)		•	•	•	•
	Fast Cooling		•	•	•	•
	Good Sleep		•	•	•	•
	Eco		•	•	•	•
	Dehumidification		•	•	•	•
	Fan		•	•	•	•
	Quiet		•	•	•	•
	Other Functions	Samsung SmartThings		•	•	•
	MDS (Motion Detect Sensor)		•	•	•	•
	Indoor Temperature Display		•	•	•	•
	Display On/Off 88 Display		•	•	•	•
	Beep On/Off		•	•	•	•
	Auto Changeover		•	•	•	•
	Auto Restart		•	•	•	•

## Accessory



Wireless Remote Controller (included)	Advanced Wired Controller <sup>3</sup>	Simple Type Controller <sup>3</sup>	Touch Controller <sup>3</sup>
	MWR-WG00JN/MWR-WG00KN	MWR-SH00N	MWR-SH11N

<sup>1</sup> Energy labels as shown are according to EU No 626/2011 (LOT10) label classification 2019, on a scale from D to A+++.

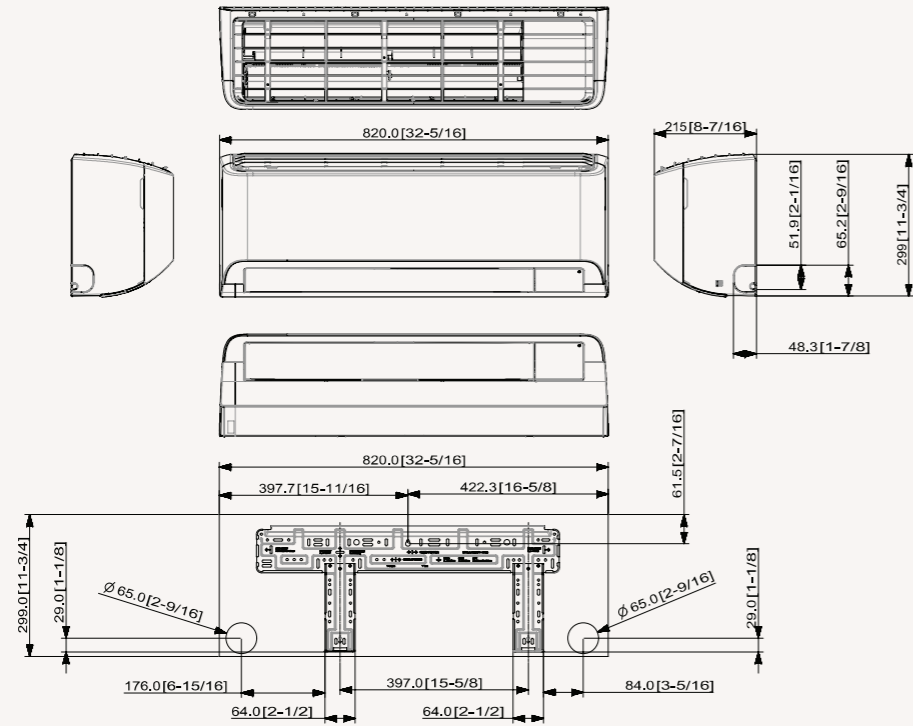
<sup>2</sup> The centralized controller is only compatible with specific bigger capacity ODU i.e. AR18TXFYAWKXEU and AR24TXFYAWKXEU. It is not compatible with the 2.5kW and 3.5kW RAC ODU. A MIM-R10N Interface is required for the Outdoor Unit (ODU).

<sup>3</sup> MIM-A00N Interface is required for the connection to wired remote controllers.

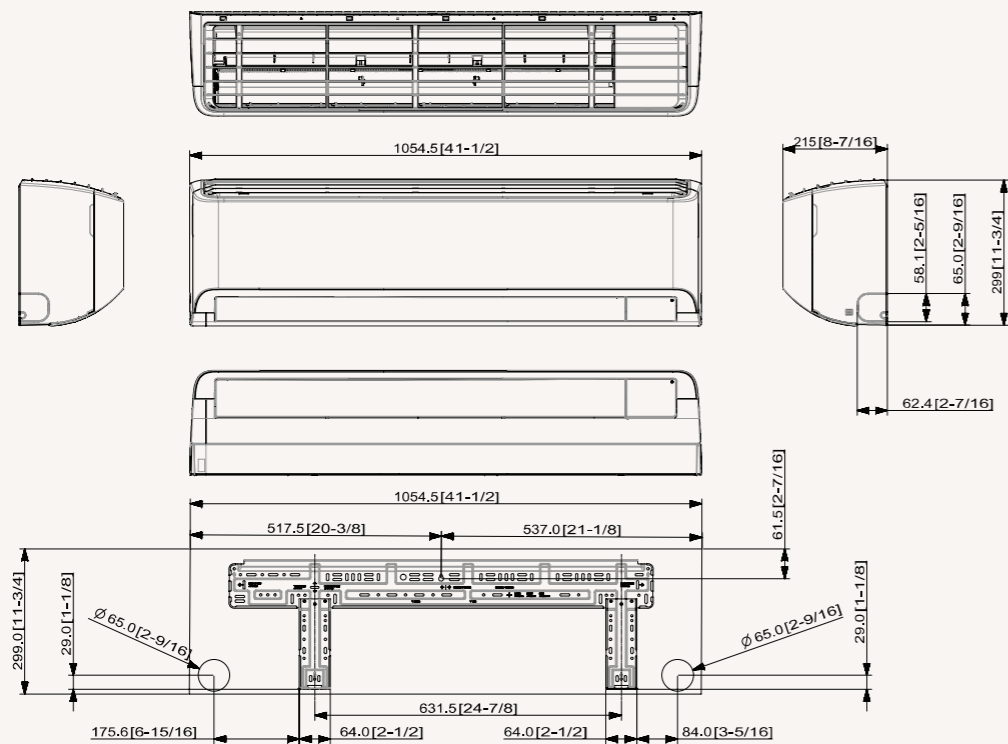
# Dimensional drawings

## Cebu - Indoor

AR09/12TXFYAWKNEU

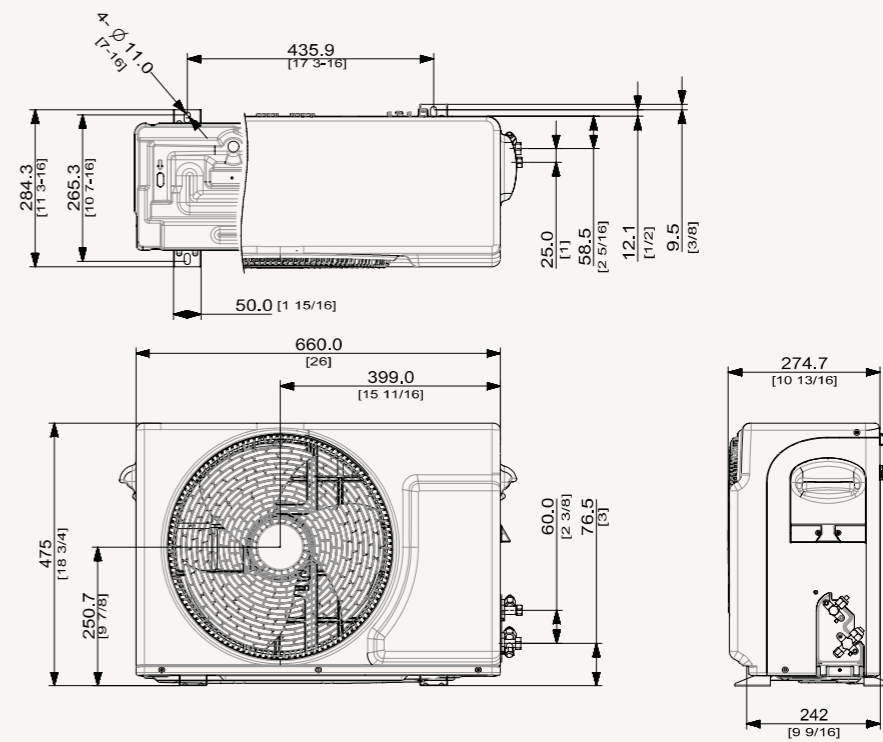


AR18/24TXFYAWKNEU



## Cebu - Outdoor

AR09/12TXFYAWKXEU



AR18/24TXFYAWKXEU

