

EXTERNAL CONTROLLER INSTALLATION

DB98-26202A-03

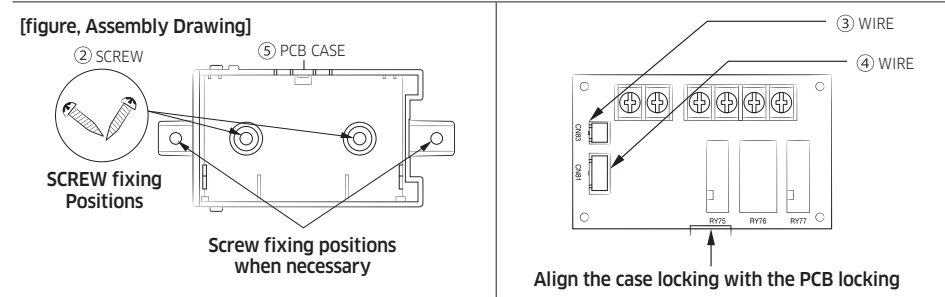


Parts

PRODUCT NAME	EXTERNAL CONTROLLER	PCB CASE	HARNESS WIRES	SCREW
QUANTITY	1EA	1EA	1EA for EACH WIRE	2EA
SHAPE				

Installation

- Fix PCB case (2) inside the indoor unit control box or at an appropriate position with screws (5).
- After fixing PCB cases, attach the external controller PCB. (See the following figure, Assembly Drawing)



- Connect 2 pin wire (3) between the external controller PCB CN83 and indoor unit PCB EXT_CTRL connector(CN83).
- Connect 4 pin wire (4) between the external controller PCB CN81 and indoor unit PCB COMP/ERROR connector(CN81).

Installation option setting of indoor unit

Indoor unit with DIP S/W

Operation Specification according to Indoor Unit PCB installation option Set up

WIRE NO.	OUTPUT STATE	
	K11 OFF	K11 & K12 OFF
1,2	Error Check	
3,4	COMP. Check	Operating Check
5,6	Signal Input (TIMER)	

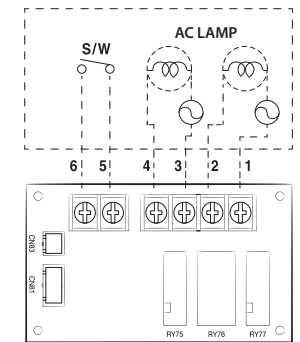
Indoor unit without DIP S/W

Purpose	5, 6 INPUT	3, 4 OUTPUT	1, 2 OUTPUT
Turn on/off the indoor unit via external contact control	DRY CONTACT	THERMO ON/OFF or OPERATION ON/OFF	ERROR STATUS (Normal Close)
Control external heater		External heater's Switch	
Turn on/off the indoor unit via external contact control and control external heater ^(*)	DRY CONTACT	External heater's Switch	

(*1) When the purpose is to use as external heater's on/off signal, monitoring signal for external contact control will not be outputted.

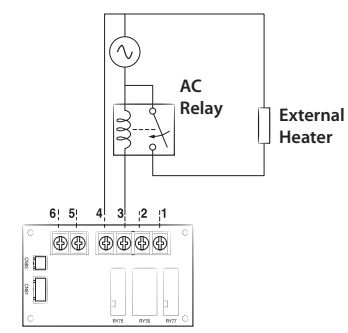
Circuit diagram of external controller's output

For turning on/off the indoor unit via external contact control



For controlling external heater (On/Off)

Circuit diagram for using external heater for the indoor units without hot water coil terminal



- * Detailed method about Installation option establishment refers to Indoor Unit manual. (External contact control setting: Refer to SGE14, SGE15 of O2 Series installation option External heater control setting: Refer to SEG15 of O2 Series Installation Option and SEG18 of O5 Series installation option)
- * Dry contact(no power source contact) must be be connected to the input terminal 5,6.
- * When MIM-B14 is used for controlling external heater, its contact should not be connected directly to the load. (Only use as switch as shown in above diagram.)

English