

Specifications

360 Cassette FCU

- 360 degree air supply.
- Bladeless discharge. Booster fans can be individually controlled, allowing for completely horizontal flow discharge. Coandă effect is created even without ceiling.
- 3-Way valve kit (optional)
- Compatible with Wi-Fi Kit controller.

- Built-in condensation drain pump.
- Predisposition of the air inlet to let fresh air in.
- Circular or square cassette panel.
- Optional SPI Kit.
- Optional Motion Detect Sensor



Model		AG060MN4PKH/EU	AG072MN4PKH/EU	AG090MN4PKH/EU	AG105MN4PKH/EU		
Power Supply	Φ, V, Hz	1Φ, 220-240 V, 50/60 Hz	1Φ, 220-240 V, 50/60 Hz	1Φ, 220-240 V, 50/60 Hz	1Φ, 220-240 V, 50/60 Hz		
Mode		HP	HP	HP	HP		
Performance	Capacity (Nominal)						
	Cooling kW	6.0	7.2	9.0	10.0		
Power	Power Input (Nominal)						
	Cooling W	58	58	77	100		
Heat Exchanger	Type	-	Fin & tube	Fin & tube	Fin & tube		
	Number of Fans	ea	1	1	1		
Fan	Type	-	Turbo Fan	Turbo Fan	Turbo Fan		
	Airflow Rate	H/M/L	21.0/17.5/15.0	25.5/22.0/19.8	29.5/24.0/19.8	31.5/22.5/19.8	
Fan Motor	Type	-	BLDC	BLDC	BLDC		
	Output x n	W	65 x 1	97 x 1	97 x 1	97 x 1	
Water	Water Flow Rate	Cooling	L/min	17.5	20.8	26.0	28.9
	Pressure Drop	Heating	kPa	21.1	24.5	28.9	30.9
Piping Connections	Liquid Pipe (IN)	Type	PF MALE	PF MALE	PF MALE	PF MALE	
	Liquid Pipe (OUT)	Type	PF MALE	PF MALE	PF MALE	PF MALE	
Sound	Sound Pressure	(H/M/L)	dB(A)	40/37/32	39/35/33	43/38/33	45/39/33
	Sound Power	Cooling	dB(A)	57	58	60	62
Dimensions	Net Weight	kg	21.0	25.0	25.0	25.0	
	Net Dimensions (W x H x D)	mm	947 x 281 x 947	947 x 365 x 947	947 x 365 x 947	947 x 365 x 947	
Casing	Material	-	-	-	-		
	Panel Model	White	PC4NUDMAN	PC4NUNMAN	PC4NUNMAN	PC4NUNMAN	
Additional Accessories	Drain Pump	Type	Built-in	Built-in	Built-in	Built-in	
	Max. Lifting Height/Displacement	mm/cc/min	750/400	750/400	750/400	750/400	
Filter	3-Way Valve Kit	(optional)	ACL-A60V3	ACL-A60V3	ACL-A60V3	ACL-A60V3	
	Microfibrous filter	-	Microfibrous filter	Microfibrous filter	Microfibrous filter	Microfibrous filter	

Accessories

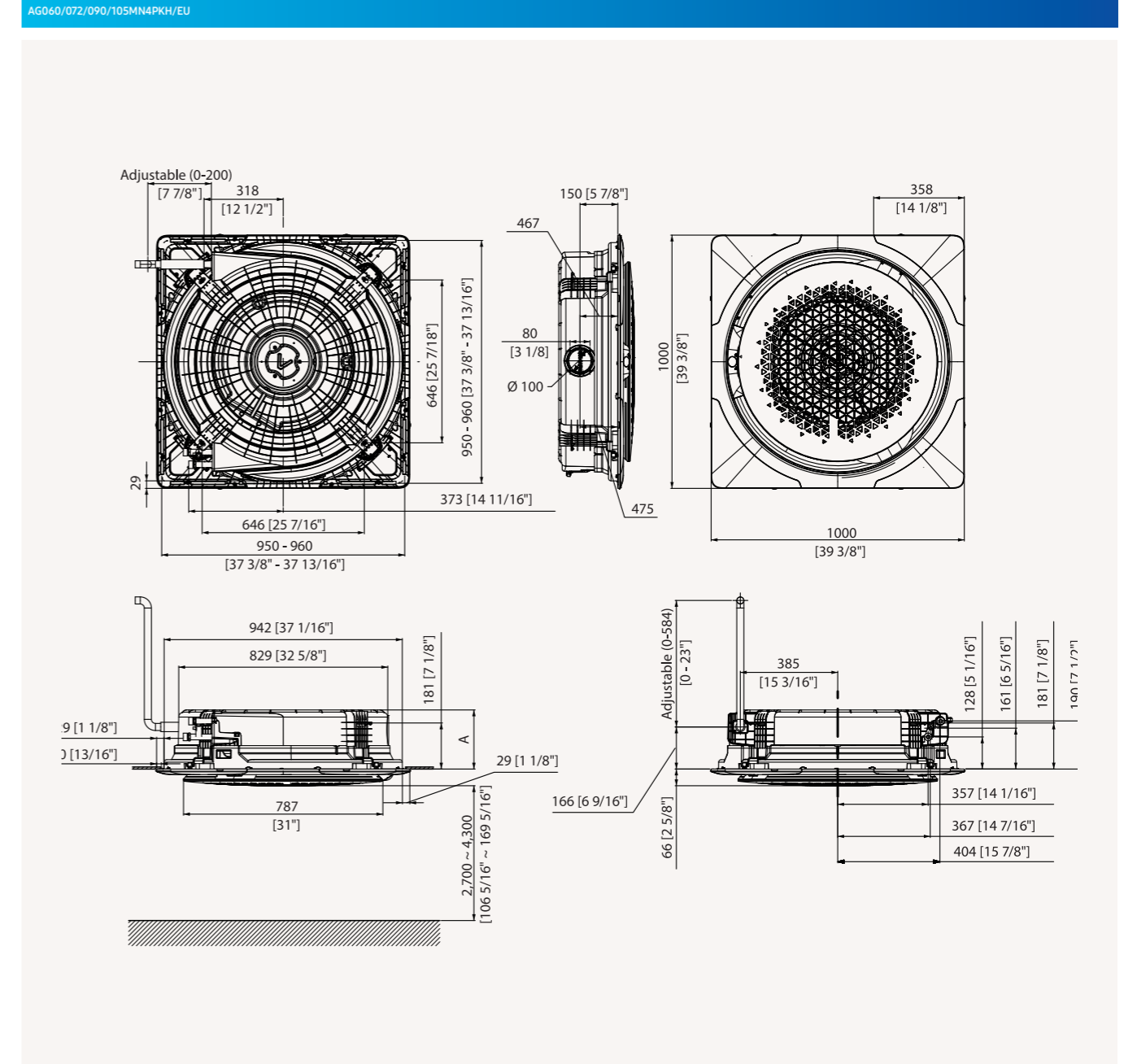


Panel (Optional)	Panel (Optional)	Panel (Optional)	Panel (Optional)	FCU Interface Module	Wireless Remote Controller	Touch Controller	Wired Remote Controller	Simple Type Controller	SPI Kit (optional)	Motion Detect Sensor
PC4NBDMAN	PC4NBNMAN	PC4NUDMAN	PC4NUNMAN	MIM-F10N	AR-EH03E	MWR-SH11N	MWR-WG00*N	MWR-SH00N	MSD-CAN1	MCR-SME

Cooling: Indoor temperature 27 °C DB, 19 °C WB/Water In/Out temperature 7 °C, 12 °C Heating: Indoor temperature 20 °C DB, 15 °C WB/Water In/Out temperature 45 °C, 40 °C.
Sound level was acquired in an anechoic room. Thus actual noise level may be different depending on the installation conditions.
Specifications may be subject to change without prior notice.
Select wire size based on the Minimum Circuit Ampacity (MCA) value.

Dimensional drawings

360 Cassette FCU

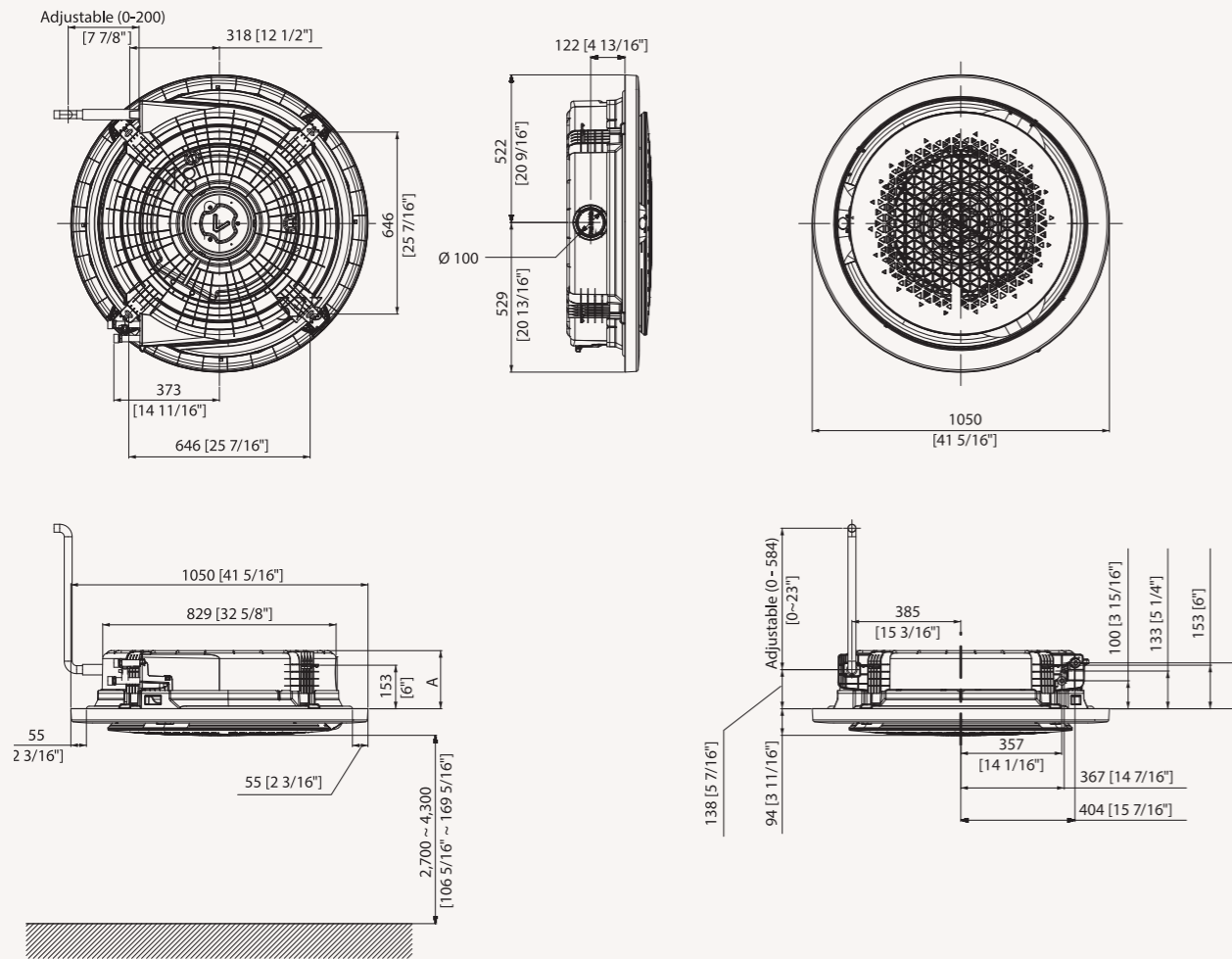


Pos.	A Type	B Type
Model	AG060MN4PKH/EU	AG072MN4PKH/EU AG090MN4PKH/EU AG105MN4PKH/EU
A	233 [9 3/16"]	317 [12 1/2"]
Pipe connection	PF 3/4 Male	
Drain pipe connection		VP25 (OD 32, ID 25)

Dimensional drawings

360 Cassette FCU

AG060/072/090/105MN4PKH/EU



Pos.	A Type	B Type
Model	AG060MN4PKH/EU	AG072MN4PKH/EU AG090MN4PKH/EU AG105MN4PKH/EU
A	205	289
Pipe connection		PF 3/4 Male
Drain pipe connection		VP25 (OD 32, ID 25)

