

# Specifications

## LSP Duct (drain pump excluded)

- Two-position field adjustable air return, on the bottom or at the rear of the unit.
- Equipped with one Sirocco fan direct driven by a single motor.
- Long-life washable HD 40 permanent filter is included.
- Auto Restart function.
- Optional condensate drain pump.



Model			AM017ANLDKH/EU	AM022ANLDKH/EU	AM028ANLDKH/EU	AM036ANLDKH/EU	
<b>Power Supply</b>		Φ, #, V, Hz	1Φ, 2, 220-240 V, 50/60 Hz	1Φ, 2, 220-240 V, 50/60 Hz	1Φ, 2, 220-240 V, 50/60 Hz	1Φ, 2, 220-240 V, 50/60 Hz	
<b>Performance</b>	<b>Capacity (Nominal)</b>	<b>Cooling</b>	kW	1.7	2.2	2.8	3.6
		<b>Heating</b>	kW	1.9	2.5	3.2	4.0
<b>Power</b>	<b>Power Input (Nominal)</b>	<b>Cooling</b>	W	28	30	34	40
		<b>Heating</b>	W	28	30	36	42
	<b>Current Input (Nominal)</b>	<b>Cooling</b>	A	0.23	0.25	0.28	0.33
		<b>Heating</b>	A	0.23	0.25	0.30	0.35
<b>Fan</b>	<b>Type</b>	-	Sirocco Fan	Sirocco Fan	Sirocco Fan	Sirocco Fan	
	<b>Motor</b>	<b>Output x n</b>	W	69 x 1	69 x 1	69 x 1	69 x 1
	<b>Airflow Rate</b>	<b>m<sup>3</sup>/min</b>	5.5 / 4.5 / 3.8	6.0 / 4.9 / 3.8	7.1 / 5.2 / 4.4	8.2 / 6.5 / 4.9	
	<b>H/M/L (UL)</b>	<b>l/s</b>	91 / 74 / 63	100 / 82 / 63	118 / 86 / 73	137 / 108 / 82	
<b>External Static Pressure</b>	<b>Min/Std/Max</b>	<b>mmAq</b>	0.0 / 1.0 / 3.0	0.0 / 1.0 / 3.0	0.0 / 1.0 / 3.0	0.0 / 1.0 / 3.0	
		<b>Pa</b>	0.00/9.81/29.42	0.00/9.81/29.42	0.00/9.81/29.42	0.00/9.81/29.42	
		<b>mm</b>	0.00/9.81/29.42	0.00/9.81/29.42	0.00/9.81/29.42	0.00/9.81/29.42	
<b>Piping Connections</b>	<b>Liquid Pipe</b>	<b>ø, mm</b>	6.35	6.35	6.35	6.35	
		<b>ø, inch</b>	1/4	1/4	1/4	1/4	
	<b>Gas Pipe</b>	<b>ø, mm</b>	12.70	12.70	12.70	12.70	
		<b>ø, inch</b>	1/2	1/2	1/2	1/2	
	<b>Drain Pipe</b>	<b>ø, mm</b>	VP25 (OD 32, ID 25)	VP25 (OD 32, ID 25)	VP25 (OD 32, ID 25)	VP25 (OD 32, ID 25)	
	<b>Field Wiring</b>	<b>Power Source Wire</b>	<b>Below 20 m/over 20 m</b>	mm <sup>2</sup>	1.5/2.5	1.5/2.5	1.5/2.5
<b>Transmission Cable</b>			mm <sup>2</sup>	0.75-1.50	0.75-1.50	0.75-1.50	0.75-1.50
<b>Refrigerant</b>	<b>Type</b>	-	R410A(Fluorinated greenhouse gas, GWP=2,088)				
	<b>Control Method</b>	-	EEV INCLUDED	EEV INCLUDED	EEV INCLUDED	EEV INCLUDED	
<b>Sound</b>	<b>Sound Pressure<sup>1</sup></b>	<b>(H/M/L)</b>	<b>dB(A)</b>	25 / 22 / 19	26 / 23 / 19	28 / 24 / 19	31 / 26 / 20
	<b>Sound Power</b>		<b>dB(A)</b>	40	42	44	46
<b>Dimensions</b>	<b>Net Weight</b>		<b>kg</b>	14.9	14.9	14.9	15.3
	<b>Net Dimensions (W x H x D)</b>		<b>mm</b>	700 x 199 x 440	700 x 199 x 440	700 x 199 x 440	700 x 199 x 440
<b>Air Filter</b>				Long-life Filter	Long-life Filter	Long-life Filter	Long-life Filter
<b>Additional Accessories</b>	<b>Drain Pump</b>			MDP-E075SEE3D	MDP-E075SEE3D	MDP-E075SEE3D	MDP-E075SEE3D
	<b>Max. Lifting Height/Displacement</b>		<b>mm / litres/h</b>	750/24	750/24	750/24	750/24

AM045ANLDKH/EU	AM056ANLDKH/EU	AM071ANLDKH/EU	AM090ANLDKH/EU	AM112ANLDKH/EU	AM128ANLDKH/EU	AM140ANLDKH/EU
1Φ, 2, 220-240 V, 50/60 Hz	1Φ, 2, 220-240 V, 50/60 Hz	1Φ, 2, 220-240 V, 50/60 Hz	1Φ, 2, 220-240 V, 50/60 Hz	1Φ, 2, 220-240 V, 50/60 Hz	1Φ, 2, 220-240 V, 50/60 Hz	1Φ, 2, 220-240 V, 50/60 Hz
4.5	5.6	7.1	9.0	11.2	12.8	14.0
5.0	6.3	8.0	10.0	12.5	13.8	16.0
51	73	82	170	170	200	220
46	68	77	170	170	200	220
0.45	0.62	0.69	0.96	0.96	1.28	1.43
0.41	0.58	0.65	0.96	0.96	1.28	1.43
Sirocco Fan	Sirocco Fan	Sirocco Fan	Sirocco Fan	Sirocco Fan	Sirocco Fan	Sirocco Fan
84 x 1	84 x 1	84 x 1	183 x 1	183 x 1	183 x 1	183 x 1
12.5 / 10.0 / 7.5	15.5 / 12.5 / 9.5	18.0 / 14.5 / 11.0	29.0 / 27.0 / 25.0	31.0 / 29.0 / 27.0	34.0 / 32.0 / 30.0	36.0 / 34.0 / 32.0
208 / 167 / 125	258 / 208 / 158	300 / 242 / 183	483 / 450 / 417	520 / 483 / 450	567 / 533 / 500	600 / 567 / 533
0.0 / 2.0 / 4.0	0.0 / 2.0 / 4.0	0.0 / 2.0 / 4.0	0.0 / 3.0 / 6.0	0.0 / 3.0 / 6.0	0.0 / 3.0 / 6.0	0.0 / 3.0 / 6.0
0.00/19.61/39.23	0.00/19.61/39.23	0.00/19.61/39.23	0.00/29.42/58.84	0.00/29.42/58.84	0.00/29.42/58.84	0.00/29.42/58.84
6.35	6.35	9.52	9.52	9.52	9.52	9.52
1/4	1/4	3/8	3/8	3/8	3/8	3/8
12.70	12.70	15.88	15.88	15.88	15.88	15.88
1/2	1/2	5/8	5/8	5/8	5/8	5/8
VP25 (OD 32, ID 25)	VP25 (OD 32, ID 25)	VP25 (OD 32, ID 25)	VP25 (OD 32, ID 25)	VP25 (OD 32, ID 25)	VP25 (OD 32, ID 25)	VP25 (OD 32, ID 25)
1.5/2.5	1.5/2.5	1.5/2.5	1.5/2.5	1.5/2.5	1.5/2.5	1.5/2.5
0.75-1.50	0.75-1.50	0.75-1.50	0.75-1.50	0.75-1.50	0.75-1.50	0.75-1.50
			R410A(Fluorinated greenhouse gas, GWP=2,088)			
EEV INCLUDED	EEV INCLUDED	EEV INCLUDED	EEV INCLUDED	EEV INCLUDED	EEV INCLUDED	EEV INCLUDED
32 / 28 / 25	34 / 30 / 26	34 / 30 / 27	37 / 36 / 34	37 / 36 / 34	37 / 36 / 34	39 / 38 / 36
47	49	49	66	66	66	68
18.8	18.8	22.0	40.0	40.0	41.5	41.5
700 x 199 x 440	900 x 199 x 440	1,100 x 199 x 440	1,300 x 295 x 690	1,300 x 295 x 690	1,300 x 295 x 690	1,300 x 295 x 690
Long-life Filter	Long-life Filter	Long-life Filter	Long-life Filter	Long-life Filter	Long-life Filter	Long-life Filter
MDP-E075SEE3D	MDP-E075SEE3D	MDP-E075SEE3D	MDP-E075SEE3D	MDP-E075SEE3D	MDP-E075SEE3D	MDP-E075SEE3D
750/24	750/24	750/24	750/24	750/24	750/24	750/24

### Accessories



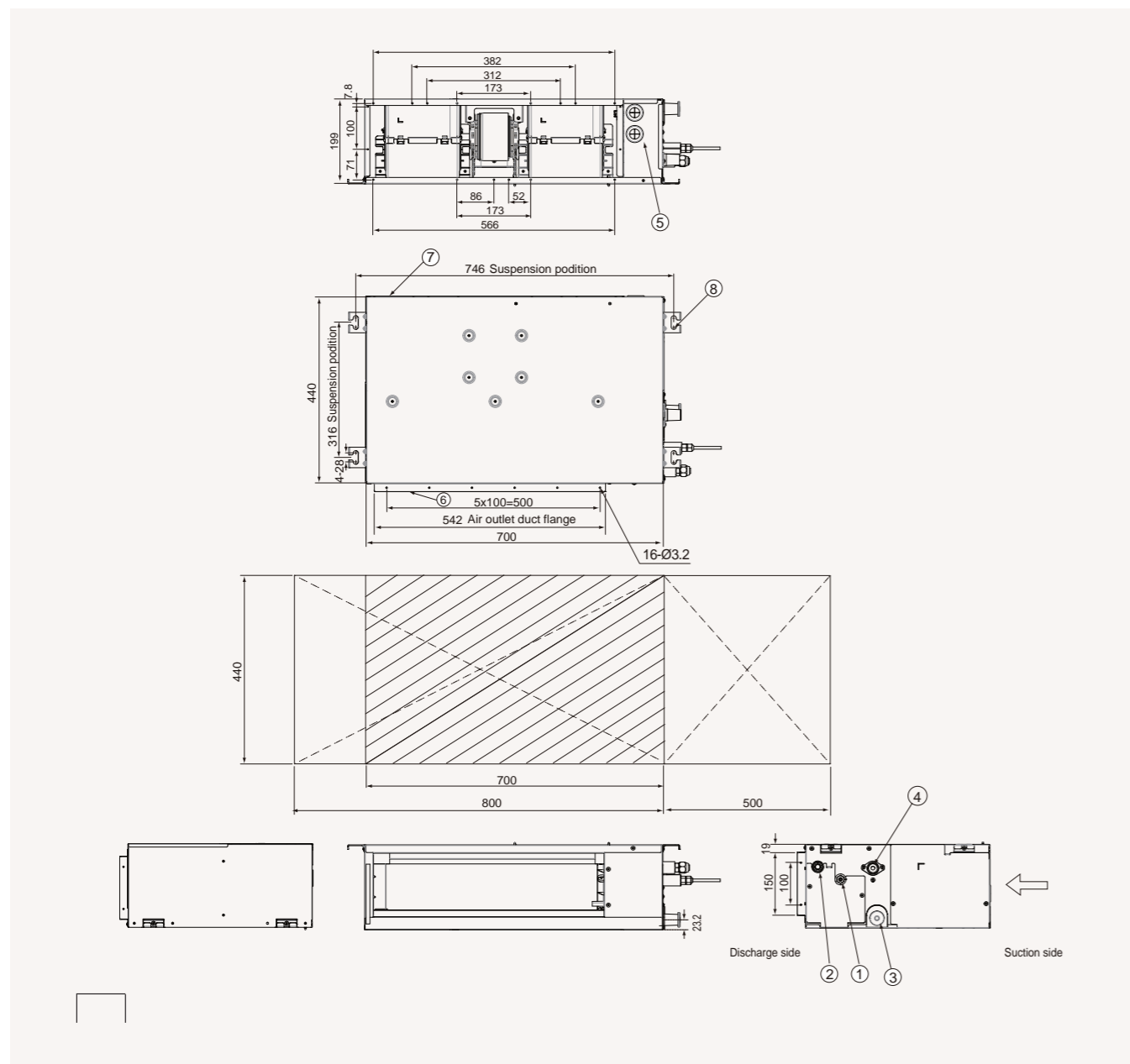
Drain Pump (optional)	Wireless Remote Controller	Touch Controller	Wired Remote Controller	Wi-Fi Kit	Wireless Receiver Kit	External Room Sensor
MDP-E075SEE3D	AR-EH03E (to be matched with MRK-A10N)	MWR-SH11N	MWR-WG00*N	MIM-H04EN	MRK-A10N (to be matched with AR-EH03E)	MRW-TA

<sup>1</sup> Sound pressure level is obtained in an anechoic room. Sound pressure level is a relative value, depending on the distance and acoustic environment. Sound pressure level may differ depending on operation conditions.

# Dimensional drawings

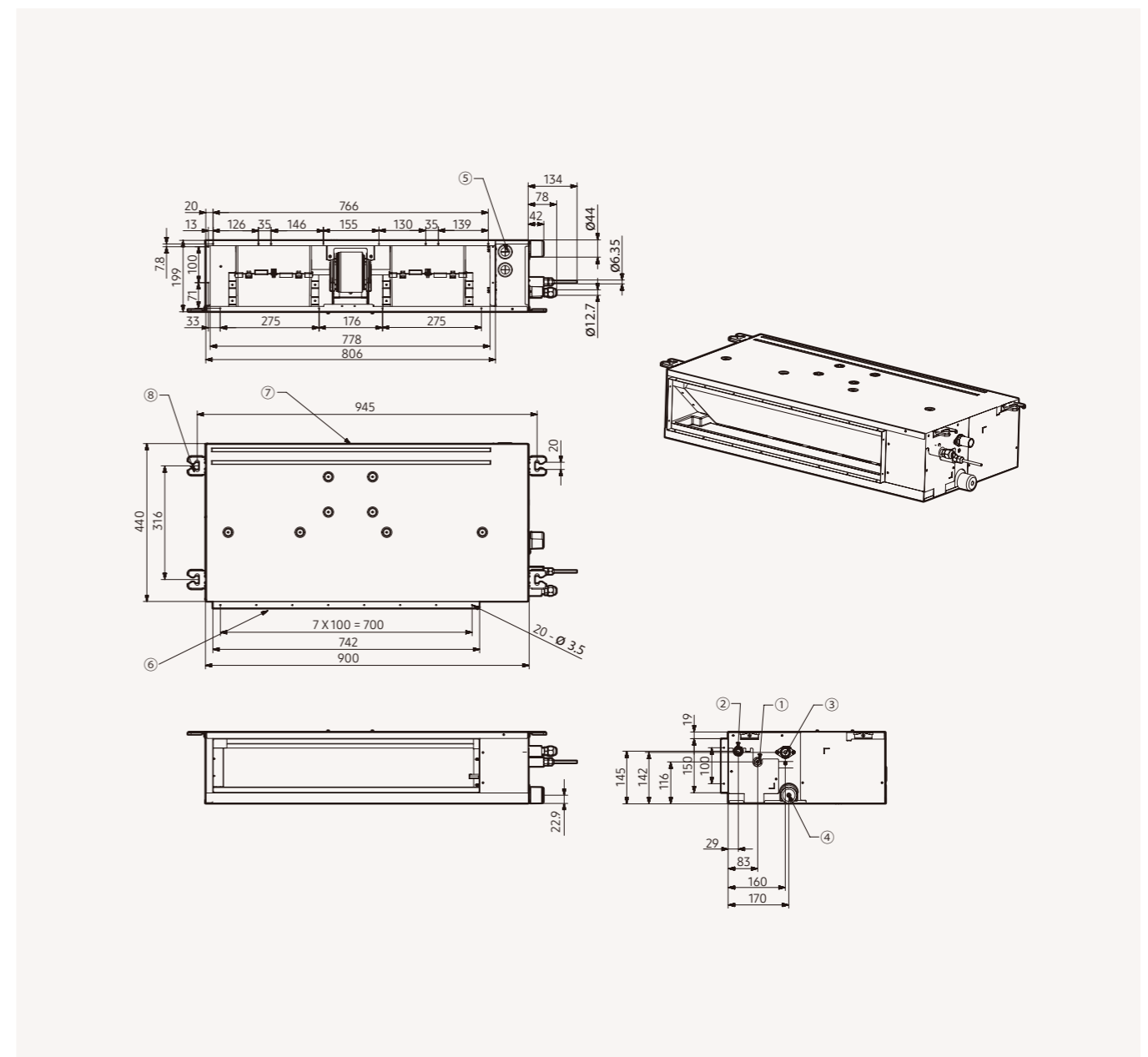
## LSP Duct (drain pump excluded)

AM017/022/028/036ANLDKH/EU



NO	Name	Description
1	Refrigerant Liquid Pipe	Ø6.35 [1/4"]
2	Refrigerant Gas Pipe	Ø12.70 [1/2"]
3	Drain pipe connection without drain pump	VP25 (OD 32, ID 25)
4	Drain pipe connectino with drain pump	VP25 (OD 32, ID 25)
5	Power supply / Communication connection	-
6	Air discharge grille flange	-
7	Return air side	-
8	Hook	ø9.52 or M10

AM045/056ANLDKH/EU

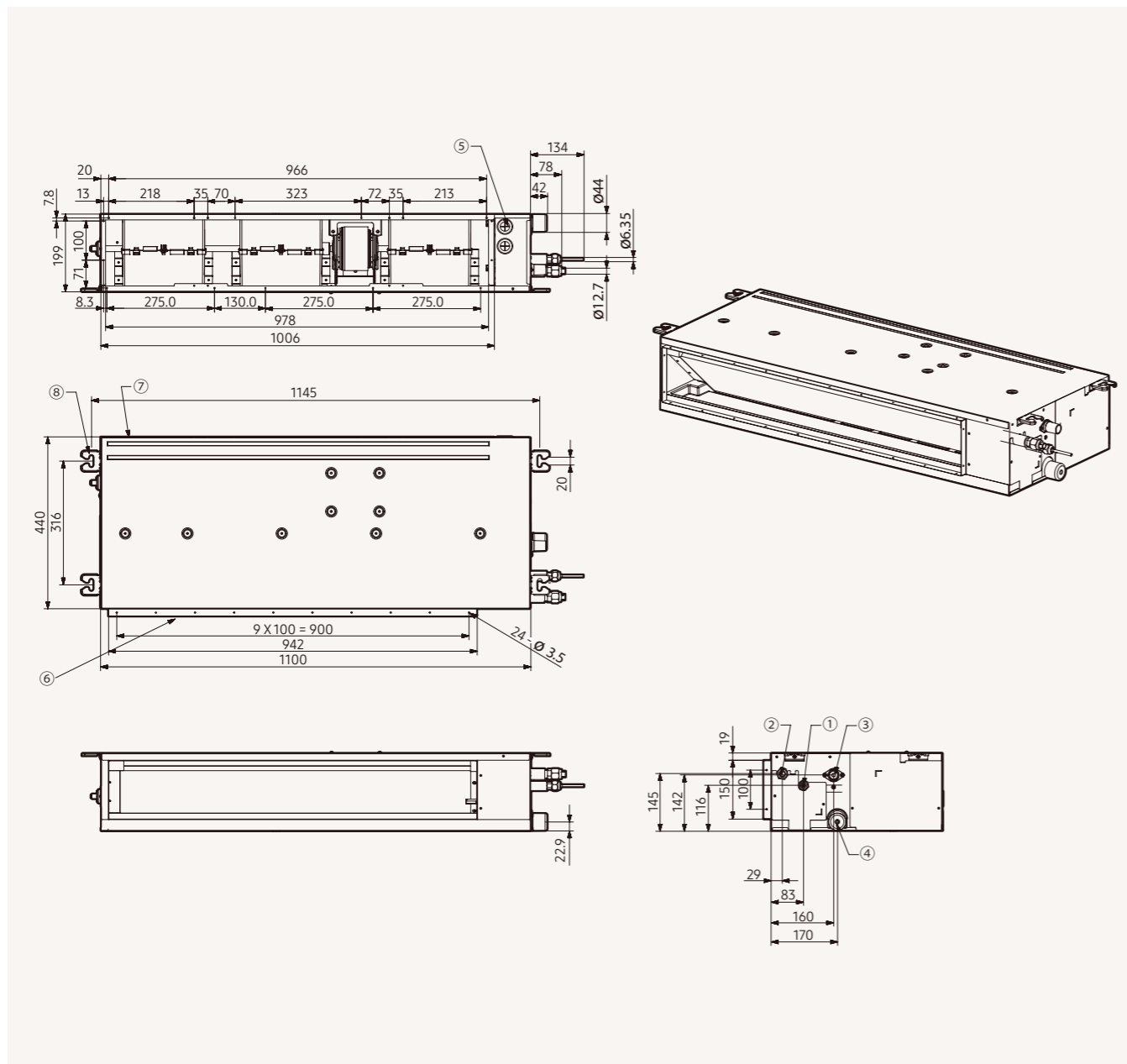


NO	Name	Description
1	Refrigerant Liquid Pipe	Ø6.35 [1/4"] Flare Connection
2	Refrigerant Gas Pipe	Ø12.70 [1/2"] Flare Connection
3	Condensate Drain	VP25 (OD 32, ID 25)
4	Condensate Drain (Option)	VP25 (OD 32, ID 25)
5	Power & Comm. Wiring Conduits	-
6	Supply Air Flange	-
7	Return Air Flange	-
8	Hook	-

# Dimensional drawings

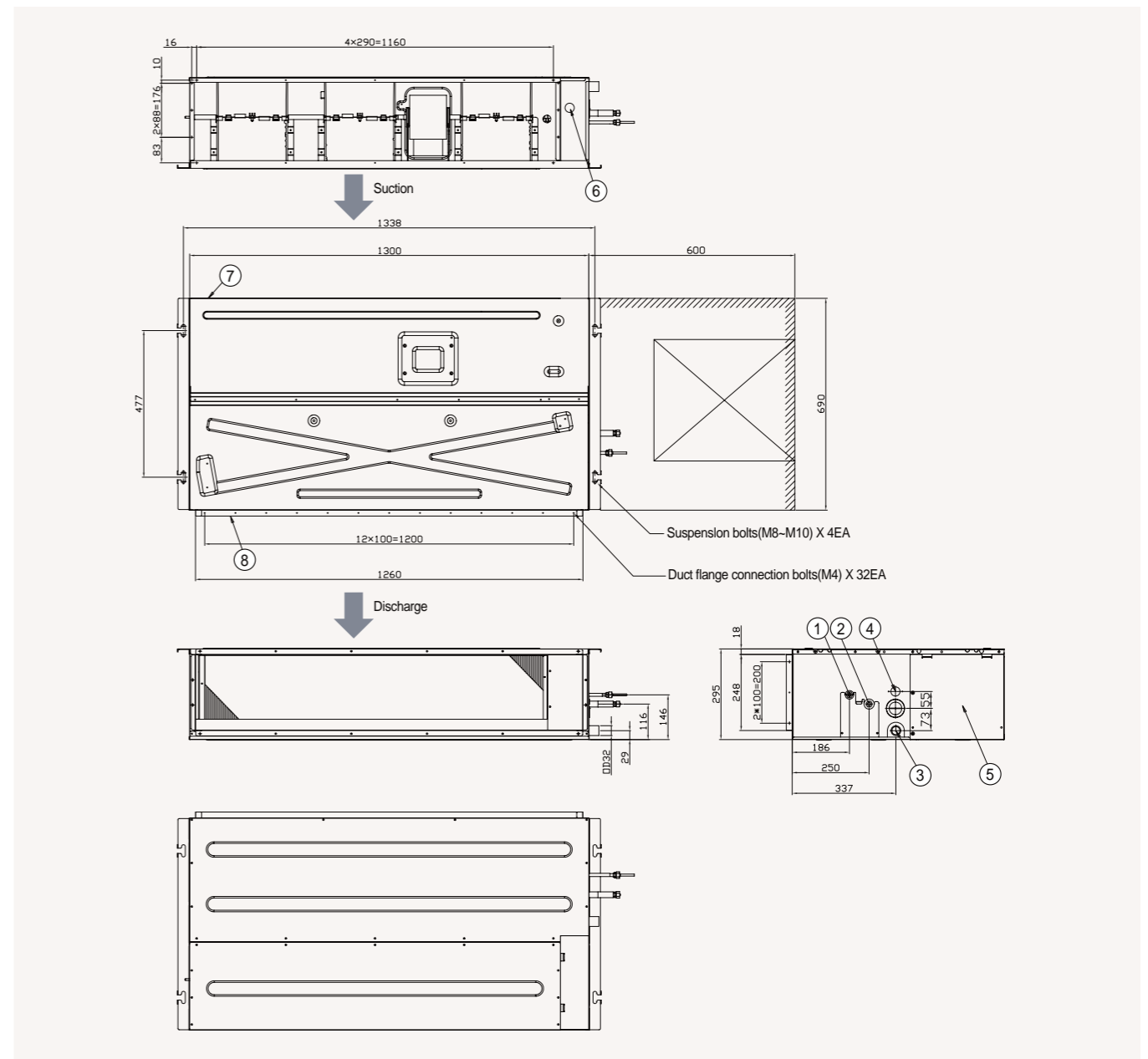
## LSP Duct (drain pump excluded)

AM071ANLDKH/EU



NO	Name	Description
1	Refrigerant Liquid Pipe	Ø9.52 [3/8"] Flare Connection
2	Refrigerant Gas Pipe	Ø15.88 [5/8"] Flare Connection
3	Condensate Drain	VP25 (OD 32, ID 25)
4	Condensate Drain (Option)	VP25 (OD 32, ID 25)
5	Power & Comm. Wiring Conduits	-
6	Supply Air Flange	-
7	Return Air Flange	-
8	Hook	-

AM090/112/128/140\*NLDKH/EU



NO	Name	Description
1	Refrigerant Liquid Pipe	Ø9.52 [3/8"] Flare Connection
2	Refrigerant Gas Pipe	Ø15.88 [5/8"] Flare Connection
3	Drain pipe connection without drain pump	VP25 (OD 32, ID 25)
4	Drain pipe connectino with drain pump	VP25 (OD 32, ID 25)
5	Control unit	-
6	Conduit for power supply & communication wiring	-
7	Return air side	-
8	Air outlet duct flange	-