

Specifications

Big Ceiling

- Horizontal installation only.
- Air supply by means of one adjustable blade.
- Sirocco Fan direct driven by a single motor.
- Long-life washable HD 40 permanent filter is included.

- Compatible with Wi-Fi Kit controller.



Model		AM112JNCDKH/EU	AM140JNCDKH/EU
Power Supply	Φ, #, V, Hz	1Φ, 2, 220-240 V, 50 Hz	1Φ, 2, 220-240 V, 50 Hz
Performance	Capacity (Nominal)	Cooling kW	11.2
		Heating kW	12.5
Power	Power Input (Nominal)	Cooling W	92.0
		Heating W	80.0
	Current Input (Nominal)	Cooling A	0.94
		Heating A	0.83
Fan	Motor	Type	Sirocco Fan
	Output	W	260 x 1
	Airflow Rate	H/M/L (UL) m ³ /min	29.30/23.90/18.50
Piping Connections	Liquid Pipe	ø, mm	9.52
		ø, inch	3/8
	Gas Pipe	ø, mm	15.88
		ø, inch	5/8
	Drain Pipe	ø, mm	VP25 (OD 25, ID 20)
	Field Wiring	Power Source Wire	Below 20 m/over 20 m
Transmission Cable			mm ²
Refrigerant	Type	-	R410A (Fluorinated greenhouse gas, GWP=2,088)
	Control Method	-	EEV INCLUDED
Sound	Sound Pressure ¹	(H/M/L)	dB(A)
	Sound Power	Cooling	dB(A)
Dimensions	Net Weight		kg
	Net Dimensions (W × H × D)		mm

Accessories



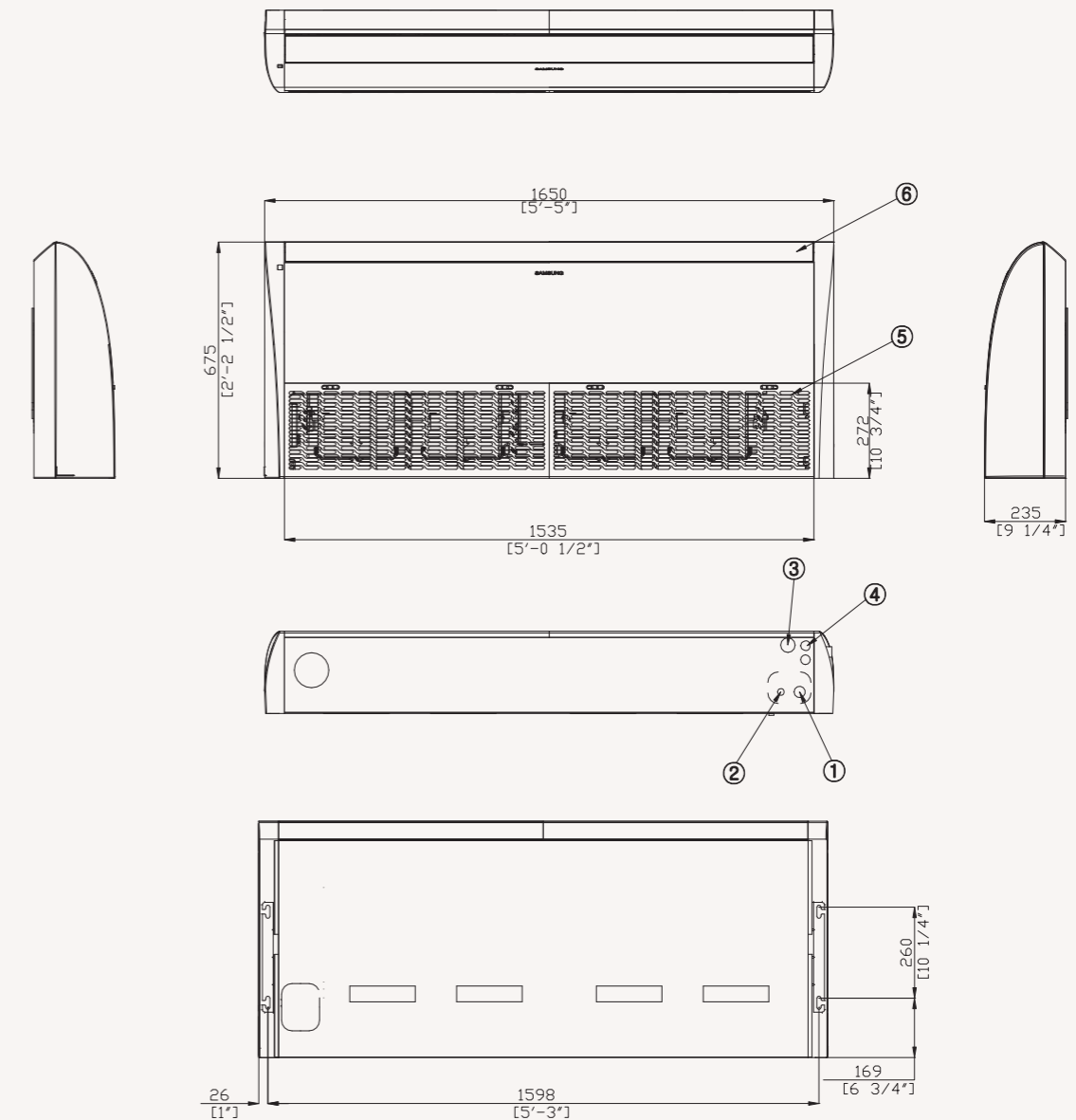
Touch Controller	Wired Remote Controller	Wi-Fi Kit	External Room Sensor	SPI Kit
MWR-SH11N	MWR-WG00*N	MIM-H04EN	MRW-TA	MSD-CAN1

¹ Sound pressure level is obtained in an anechoic room. Sound pressure level is a relative value, depending on the distance and acoustic environment. Sound pressure level may differ depending on operation conditions.

Dimensional drawings

Big Ceiling

AM***JNCDKH/EU



NO	Name
1	Refrigerant gas pipe
2	Refrigerant liquid pipe
3	Condensate drain
4	Power supply/communication wiring conduits
5	Air inlet grille
6	Air outlet grille