

Specifications

Nordic WindFree™ Geo R32

- Three-step cooling: Fast Cooling mode, Dehumidification mode and WindFree™ Cooling mode.
- Tri-Care Filter system with Zeolite Coating.
- AI Auto Comfort and Motion Detect Sensor.
- Wi-Fi Control with Samsung SmartThings and Bixby voice controls.
- Compressor with Digital Inverter Boost technology.
- Equipped with NASA communication protocol.
- Direct drive fan powered by a BLDC motor.
- Triple Protector Plus to protect compressor, fan and controller from power surges.
- Compatible with wired remote controller and with centralized controller.
- Heating down to -30 °C.



Indoor Unit		AR09TXCACWKNEE		AR12TXCACWKNEE	
Outdoor Unit		AR09TXCACWKXEE		AR12TXCACWKXEE	
Capacity					
Capacity	Cooling (Nominal)	kW	2.5	3.5	
	Cooling (Min-Max)	kW	0.9-3.6	0.9-4.8	
	Heating @ +7 °C	kW	3.2	4.0	
	Heating (Min-Max)	kW	0.8-7.1	0.8-7.3	
	Heating @ 0 °C	kW	4.62	5.38	
	Heating @ -10 °C	kW	4.10	4.66	
	Heating @ -20 °C	kW	3.28	3.57	
Performance					
Energy Efficiency Cooling	SEER ¹	W/W	8.8/ A+++	8.5/ A+++	
	Consumption	kWh/a	99	144	
	Pdesignc	kW	2.5	3.5	
	EER	W/W	4.63	3.95	
Energy Efficiency Heating	SCOP ¹	W/W	5.1/ A+++	5.1/ A+++	
	Consumption	kWh/a	631	659	
	Pdesignh (average)	kW	2.3	2.4	
	COP ¹	W/W	4.74	4.26	
Moisture Removal		l/h	1.0	1.5	
Maximum Airflow (Cooling)	Indoor Unit	m ³ /min	13.1	13.1	
	Outdoor Unit	m ³ /min	45	45	
Sound Power	Indoor Unit (Cooling)	dB(A)	56	58	
	Outdoor Unit (Cooling)	dB(A)	59	62	
Sound Pressure	Indoor Unit Low/High	dB(A)	17 / 38	17 / 40	
	Outdoor Unit High	dB(A)	45	46	
Operating Temperature Range	Cooling	°C	-15-46	-15-46	
	Heating	°C	-30-24	-30-24	
Electrical Data					
Power Source		Φ, V, Hz	1Φ, 220-240 V, 50 Hz	1Φ, 220-240 V, 50 Hz	
Compressor Type	Outdoor Unit	Type	Rotary	Rotary	
Power Input	Cooling	W	540	885	
	Heating	W	675	940	
Operating Current	Cooling	A	2.9	4.1	
	Heating	A	3.4	4.4	
Dimensions					
Net Dimensions (W x H x D)	Indoor Unit	mm	889 x 299 x 215	889 x 299 x 215	
	Outdoor Unit	mm	790 x 548 x 285	790 x 548 x 285	
Net Weight	Indoor Unit	kg	10.4	10.4	
	Outdoor Unit	kg	33	33	
Refrigerant					
Refrigerant	Type		R32 (contains fluorinated greenhouse gases. GWP = 675)		
	Charging (for 5 m)	kg	0.920	0.920	
	Charging Ton Equivalent CO ₂	tCO ₂ e	0.62	0.62	
	Additional Refrigerant Charging	g/m	15	15	
Piping Connections	Liquid Pipe	ø, inch	1/4"	1/4"	
	Gas Pipe	ø, inch	3/8"	3/8"	
Piping Length	Min/Max (ODU to IDU)	m	3 / 15	3 / 15	
Piping Height	Max	m	8	8	
Piping Connections	Drain Pipe	ø, mm	ID 16	ID 16	



Indoor Unit		AR09TXCACWKNEE		AR12TXCACWKNEE	
Outdoor Unit		AR09TXCACWKXEE		AR12TXCACWKXEE	
Functions					
Airflow	WindFree™ Cooling		●		●
	Air Direction Control (Up/Down)		Auto		Auto
	Air Direction Control (Left/Right)		Auto		Auto
	Auto Fan Speed		●		●
Air Purification	Tri-Care Filter		●		●
	Easy Filter Plus		●		●
	Auto Clean (Self Cleaning)		●		●
Operating Mode	AI Auto with Wi-Fi & MDS (direct/Indirect)		●		●
	AI Auto with Wi-Fi		-		-
	Auto Mode (without Wi-Fi)		●		●
	Fast Cool		●		●
	Good Sleep		●		●
	Eco mode		●		●
	Dehumidification		●		●
	Fan		●		●
	Quiet		●		●
	Other Functions	Samsung SmartThings		●	
	MDS (Motion Detect Sensor)		●		●
	Indoor Temperature Display		●		●
	Display On/Off		●		●
	Beep On/Off		●		●
	Auto Changeover		●		●
	Auto Restart		●		●

Accessory

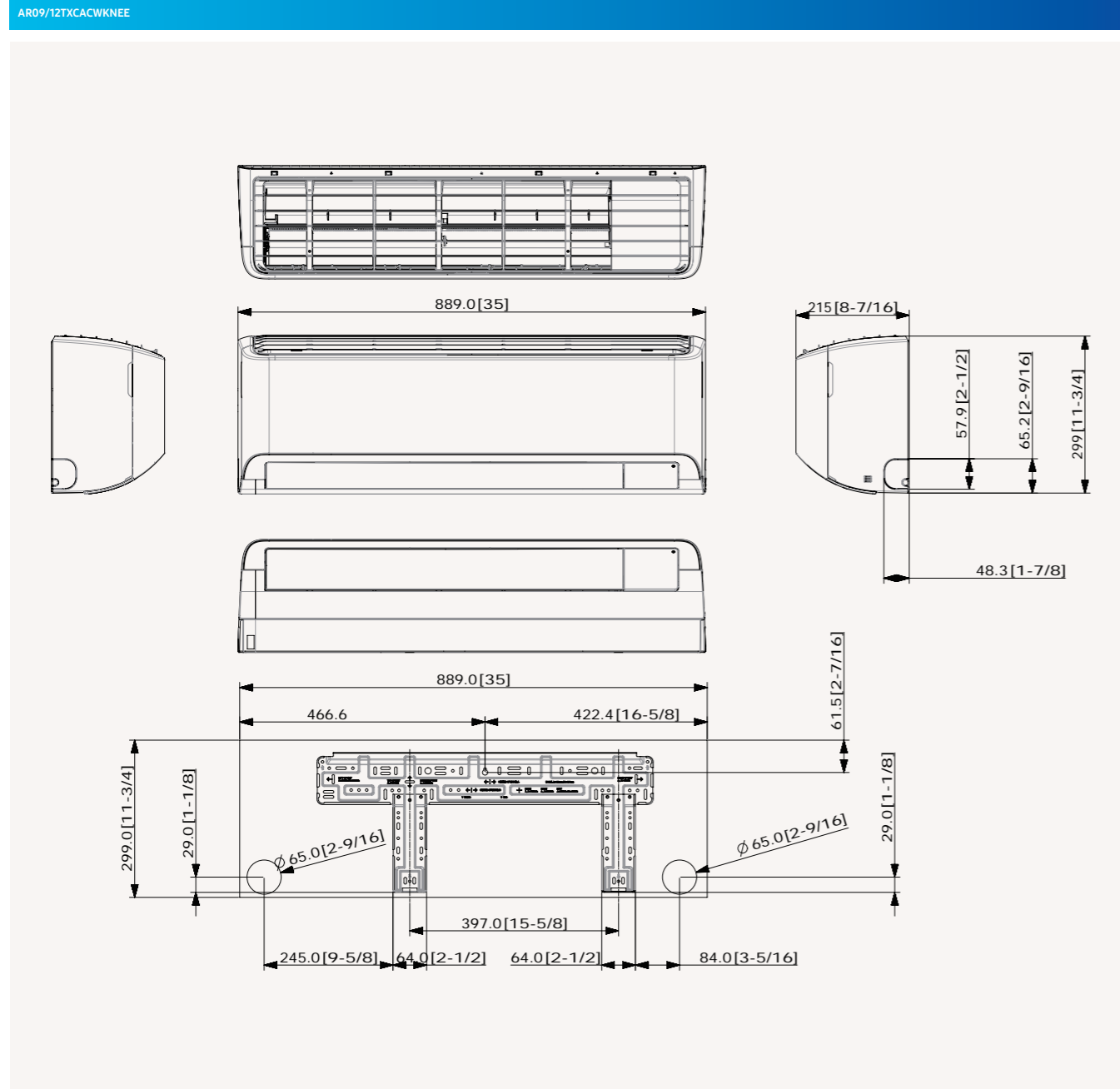


Wireless Remote Controller (included)	Advanced Wired Controller	Simple Type Controller	Touch Controller
	MWR-WG00JN/MWR-WG00KN	MWR-SH00N	MWR-SH11N

¹ Energy labels as shown are according to EU No 626/2011 (LOT10) label classification 2019, on a scale from D to A+++.

Dimensional drawings

Nordic WindFree™ Geo - Indoor



Nordic WindFree™ Geo - Outdoor

