

# Specifications

## Nordic Airise R32

- Heating down to -30 °C.
- Two step cooling mode.
- Compressor with Digital boost inverter technology.
- Triple Protector Plus to protect compressor, fan and controller from power surges.
- Compatible with wired remote controller and with centralized controller.
- AI Auto Comfort.
- Direct drive fan powered by a BLDC motor.
- Equipped with NASA communication protocol.
- Wi-Fi Smart Control with Bixy Voice Controls and AI Auto Comfort.



| Indoor Unit                 |   | AR09TXFZBWKNEE      |  | AR12TXFZBWKNEE                             |  |
|-----------------------------|---|---------------------|--|--|--|
| Outdoor Unit                |   | AR09TXFZBWKXEE      |  | AR12TXFZBWKXEE                             |  |
| <b>Capacity</b>             |   |                     |  |  |  |
| Capacity                    | Cooling (Nominal)                       | kW                  | 2.5  | 3.5  |  |
|                             | Cooling (Min-Max)                       | kW                  | 0.9-3.4  | 0.9-4.4                                    |  |
|                             | Heating @ +7 °C                         | kW                  | 3.2  | 4.0  |  |
|                             | Heating (Min-Max)                       | kW                  | 0.8-6.5  | 0.8-6.8                                    |  |
|                             | Heating @ 0 °C                          | kW                  | 4.59   | 5.19                                       |  |
|                             | Heating @ -10 °C                        | kW                  | 3.88   | 4.45                                       |  |
|                             | Heating @ -20 °C                        | kW                  | 2.86   | 3.26                                       |  |
| <b>Performance</b>          |   |                     |  |  |  |
| Energy Efficiency Cooling   | SEER <sup>1</sup>                       | W/W                 | 6.0/ <span style="color: green;">A+</span>             | 6.0/ <span style="color: green;">A+</span> |  |
|                             | Consumption                             | kWh/a               | 146  | 204  |  |
|                             | Pdesignc                                | kW                  | 2.5  | 3.5  |  |
|                             | EER                                     | W/W                 | 4.46   | 3.80                                       |  |
| Energy Efficiency Heating   | SCOP <sup>1</sup>                       | W/W                 | 4.3/ <span style="color: green;">A+</span>             | 4.3/ <span style="color: green;">A+</span> |  |
|                             | Consumption                             | kWh/a               | 749  | 781  |  |
|                             | Pdesignh (average)                      | kW                  | 2.3  | 2.4  |  |
|                             | COP <sup>1</sup>                        | W/W                 | 3.95   | 3.64                                       |  |
| Moisture Removal            |   | l/h                 | 1.0  | 1.5  |  |
| Maximum Airflow (Cooling)   | Indoor Unit                             | m <sup>3</sup> /min | 11.4   | 11.9                                       |  |
|                             | Outdoor Unit                            | m <sup>3</sup> /min | 45   | 45   |  |
| Sound Power                 | Indoor Unit (Cooling)                   | dB(A)               | 56   | 58   |  |
|                             | Outdoor Unit (Cooling)                  | dB(A)               | 59   | 62   |  |
| Sound Pressure              | Indoor Unit Low/High                    | dB(A)               | 19 / 38  | 19 / 40                                    |  |
|                             | Outdoor Unit High                       | dB(A)               | 44   | 46   |  |
| Operating Temperature Range | Cooling                                 | °C                  | -15-46   | -15-46                                     |  |
|                             | Heating                                 | °C                  | -30-24   | -30-24                                     |  |
| <b>Electrical Data</b>      |   |                     |  |  |  |
| Power Source                |   | Φ, V, Hz            | 1Φ, 220-240 V, 50 Hz                                   | 1Φ, 220-240 V, 50 Hz                       |  |
| Compressor Type             | Outdoor Unit                            | Type                | Rotary   | Rotary                                     |  |
| Power Input                 | Cooling                                 | W                   | 540  | 920  |  |
|                             | Heating                                 | W                   | 810  | 1,100                                      |  |
| Operating Current           | Cooling                                 | A                   | 2.9  | 4.1  |  |
|                             | Heating                                 | A                   | 3.9  | 5.2  |  |
| <b>Dimensions</b>           |   |                     |  |  |  |
| Net Dimensions (W x H x D)  | Indoor Unit                             | mm                  | 820 x 299 x 215  | 820 x 299 x 215                            |  |
|                             | Outdoor Unit                            | mm                  | 790 x 548 x 285  | 790 x 548 x 285                            |  |
| Net Weight                  | Indoor Unit                             | kg                  | 9.2  | 9.2  |  |
|                             | Outdoor Unit                            | kg                  | 33   | 33   |  |
| <b>Refrigerant</b>          |   |                     |  |  |  |
| Refrigerant                 | Type                                    |                     | R32 (contains fluorinated greenhouse gases. GWP = 675) |  |  |
|                             | Charging (for 5 m)                      | kg                  | 0.965  | 0.965                                      |  |
|                             | Charging Ton Equivalent CO <sub>2</sub> | tCO <sub>2</sub> e  | 0.65   | 0.65                                       |  |
|                             | Additional Refrigerant Charging         | g/m                 | 15   | 15   |  |
| Piping Connections          | Liquid Pipe                             | ø, inch             | 1/4"   | 1/4"                                       |  |
|                             | Gas Pipe                                | ø, inch             | 3/8"   | 3/8"                                       |  |
| Piping Length               | Min/Max (ODU to IDU)                    | m                   | 3 / 15   | 3 / 15                                     |  |
| Piping Height               | Max                                     | m                   | 8  | 8  |  |
| Piping Connections          | Drain Pipe                              | ø, mm               | ID 16  | ID 16                                      |  |



| Indoor Unit                |  | AR09TXFZBWKNEE      |        | AR12TXFZBWKNEE |        |
|----------------------------|--|---------------------|--------|----------------|--------|
| Outdoor Unit               |  | AR09TXFZBWKXEE      |        | AR12TXFZBWKXEE |        |
| <b>Functions</b>           |  |                     |        |                |        |
| Airflow                    | WindFree™ Cooling                          |                     | -      |                | -      |
|                            | Air Direction Control (Up/Down)            |                     | Auto   |                | Auto   |
|                            | Air Direction Control (Left/Right)         |                     | Manual |                | Manual |
|                            | Auto Fan Speed                             |                     | ●      |                | ●      |
| Air Purification           | Tri-Care Filter                            |                     | -      |                | -      |
|                            | Easy Filter Plus                           |                     | ●      |                | ●      |
|                            | Auto Clean (Self Cleaning)                 |                     | ●      |                | ●      |
| Operating Mode             | AI Auto with Wi-Fi & MDS (direct/Indirect) |                     | -      |                | -      |
|                            | AI Auto with Wi-Fi                         |                     | ●      |                | ●      |
|                            | Auto Mode (without Wi-Fi)                  |                     | ●      |                | ●      |
|                            | Fast Cool                                  |                     | ●      |                | ●      |
|                            | Good Sleep                                 |                     | ●      |                | ●      |
|                            | Eco mode                                   |                     | ●      |                | ●      |
|                            | Dehumidification                           |                     | ●      |                | ●      |
|                            | Fan  |                     | ●      |                | ●      |
|                            | Quiet                                      |                     | ●      |                | ●      |
|                            | Other Functions                            | Samsung SmartThings |        | ●              |        |
| MDS (Motion Detect Sensor) |  |                     | -      |                | -      |
| Indoor Temperature Display |  |                     | ●      |                | ●      |
| Display On/Off             |  |                     | ●      |                | ●      |
| Beep On/Off                |  |                     | ●      |                | ●      |
| Auto Changeover            |  |                     | ●      |                | ●      |
| Auto Restart               |  | ●                   |        | ●              |        |

### Accessory



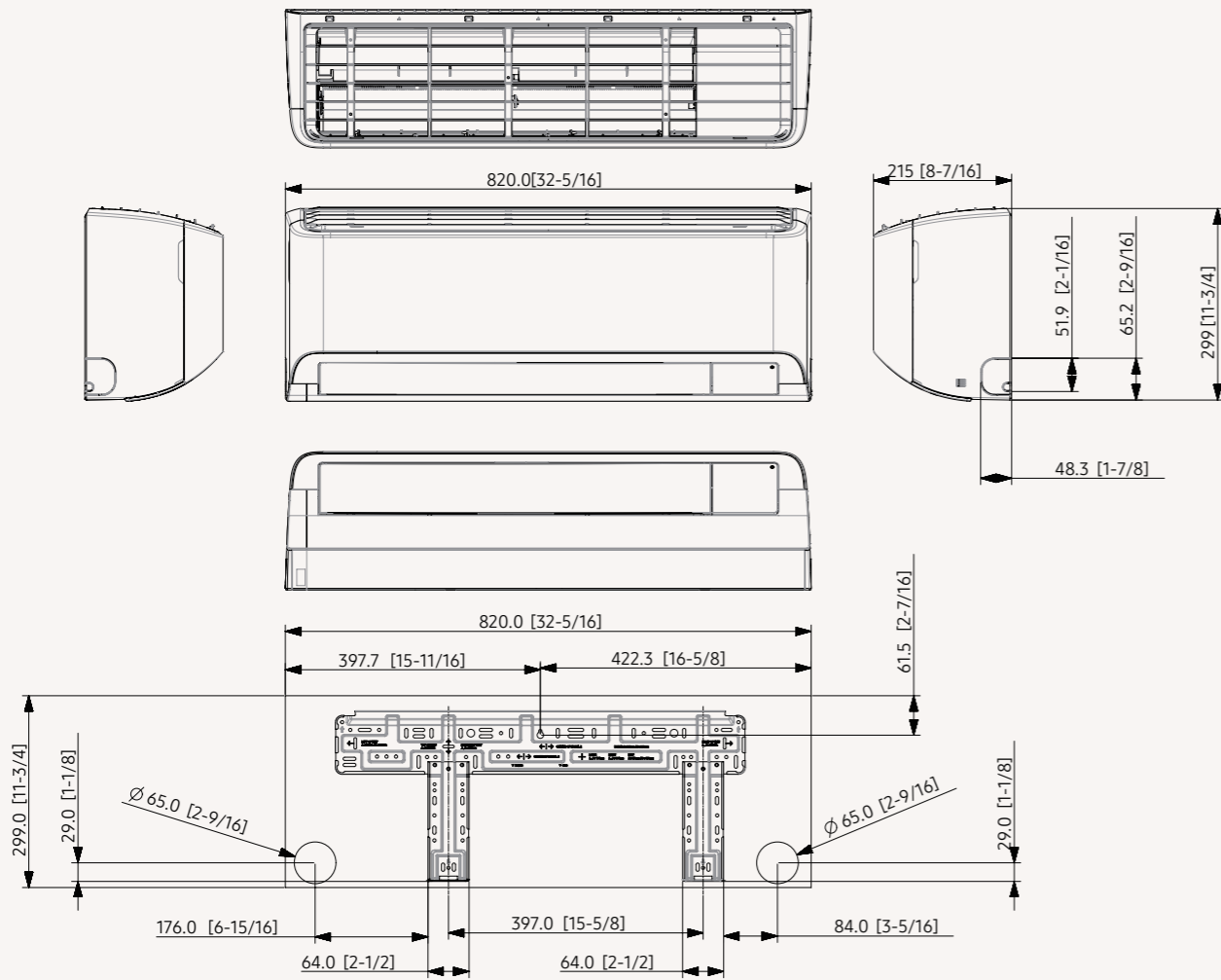
| Wireless Remote Controller (included) | Advanced Wired Controller | Simple Type Controller | Touch Controller |
|---------------------------------------|---------------------------|------------------------|------------------|
|                                       | MWR-WG00JN/MWR-WG00KN     | MWR-SH00N              | MWR-SH11N        |

<sup>1</sup> Energy labels as shown are according to EU No 626/2011 (LOT10) label classification 2019, on a scale from D to A+++.

# Dimensional drawings

## Nordic Airise - Indoor

AR09TXFZBWKNEE



## Nordic Airise - Outdoor

AR09TXFZBWKXEE

