

# Specifications

## WindFree™ Deluxe R32

- Three-step cooling: Fast Cooling mode
- WindFree™ Cooling Mode
- Wi-Fi Control with SmartThings and Bixby voice controls (optional)

- Equipped with NASA communication protocol
- Equipped with Easy Filter Plus



Indoor Unit		AC026TNXDKG/EU	AC035TNXDKG/EU	AC052TNXDKG/EU	AC071TNXDKG/EU	
Outdoor Unit – Mono-Phase		AC026RXADKG/EU	AC035RXADKG/EU	AC052RXADKG/EU	AC071RXADKG/EU	
Outdoor Unit – Tri-Phase						
<b>Capacity</b>						
Cooling (Min/Nominal/Max)	kW	1.0 / 2.6 / 4.0	1.0 / 3.5 / 4.5	1.5 / 5.0 / 6.8	2.0 / 7.1 / 8.7	
Heating up to +7°C (Min/Nominal/Max)	kW	0.8 / 3.3 / 4.0	0.8 / 4.0 / 4.8	1.0 / 6.0 / 6.5	1.6 / 8.0 / 9.0	
Heating @ +5°C	kW	-	-	-	-	
Heating @ -15°C	kW	-	-	-	-	
<b>Performance</b>						
SEER <sup>1</sup>	W/W	7.0 <span style="color: green;">A++</span>	6.9 <span style="color: green;">A++</span>	6.9 <span style="color: green;">A++</span>	6.8 <span style="color: green;">A++</span>	
Consumption	kWh/a	130	178	254	365	
Pdesignc	kW	2.6	3.5	5.0	7.1	
EER	W/W	4.06	3.50	3.57	3.09	
SCOP <sup>1</sup>	W/W	4.1 <span style="color: green;">A+</span>	4.1 <span style="color: green;">A+</span>	3.9 <span style="color: yellow;">A</span>	4.0 <span style="color: green;">A+</span>	
Consumption	kWh/a	717	717	862	1260	
Pdesignh (average)	kW	2.1	2.1	2.4	3.6	
COP <sup>1</sup>	W/W	3.75	3.31	3.43	3.4	
Airflow Rate	Indoor Unit (High/Mid/Low)	m <sup>3</sup> /min	10.3 / 8.4 / 7.0	12.2 / 9.8 / 7.9	16.7 / 13.9 / 11.8	17.8 / 15.2 / 13.2
Sound Power	Indoor Unit	dB(A)	56	59	60	61
	Outdoor Unit	dB(A)	59	61	62	65
Sound Pressure	Indoor Unit (Silent/Low/Mid/High)	dB(A)	36 / 30 / 24 / 21	40 / 34 / 28 / 23	42 / 37 / 32 / 25	44 / 39 / 35 / 30
	Outdoor Unit	dB(A)	46/47	48/48	48/48	49/51
Fan/Outdoor Unit	Type		Crossflow Fan	Crossflow Fan	Crossflow Fan	Crossflow Fan
	Power	W	27	27	27	27
	Number	EA	1	1	1	1
Operating Temperature Range	Cooling	°C	-15 ~ 46	-15 ~ 46	-15 ~ 50	-15 ~ 50
	Heating	°C	-20 ~ 24	-20 ~ 24	-20 ~ 24	-20 ~ 24
<b>Electrical Data</b>						
Power Source	Indoor Unit	Φ, #, V, Hz	10, 2, 220-240 V, 50 Hz	10, 2, 220-240 V, 50 Hz	10, 2, 220-240 V, 50 Hz	10, 2, 220-240 V, 50 Hz
	Outdoor Unit 1P	Φ, #, V, Hz	10, 2, 220-240 V, 50 Hz	10, 2, 220-240 V, 50 Hz	10, 2, 220-240 V, 50 Hz	10, 2, 220-240 V, 50 Hz
	Outdoor Unit 3P	Φ, #, V, Hz	-	-	-	-
Compressor Type	Indoor Unit	Type	Single BLDC	Single BLDC	Twin BLDC	Twin BLDC
Power (Min/Nominal/Max)	Cooling	kW	0.18 / 0.64 / 1.20	0.19 / 1.00 / 1.40	0.24 / 1.40 / 2.20	0.39 / 2.30 / 3.40
	Heating	kW	0.15 / 0.88 / 1.35	0.15 / 1.21 / 1.40	0.20 / 1.75 / 2.05	0.33 / 2.35 / 3.30
Current Input	Cooling (Min/Std/Max)	A	1.4 / 3.1 / 5.5	1.4 / 4.6 / 6.0	1.5 / 6.3 / 9.6	2.5 / 10.0 / 14.7
	Heating (Min/Std/Max)	A	1.2 / 4.2 / 6.0	1.2 / 5.6 / 6.2	1.3 / 7.8 / 8.8	2.0 / 10.3 / 14.5

Indoor Unit		AC026TNXDKG/EU	AC035TNXDKG/EU	AC052TNXDKG/EU	AC071TNXDKG/EU	
Outdoor Unit – Mono-Phase		AC026RXADKG/EU	AC035RXADKG/EU	AC052RXADKG/EU	AC071RXADKG/EU	
Outdoor Unit – Tri-Phase						
<b>Dimensions</b>						
Net Dimensions (W x H x D)	Indoor Unit	mm	820 x 299 x 215	820 x 299 x 215	1,055 x 299 x 215	1,055 x 299 x 215
	Outdoor Unit	mm	790 x 548 x 285	790 x 548 x 285	880 x 638 x 310	880 x 798 x 310
	Indoor Unit	kg	9.1	9.1	11.5	12.2
	Outdoor Unit	kg	32.5	32.5	43.0	51.0
<b>Refrigerant</b>						
Refrigerant	Type		R32(Contains fluorinated greenhouse gases. GWP=675)			
	Factory charging	kg	0.9 / 20 m	0.9 / 20 m	1.2 / 10 m	1.7 / 15 m
	Charging Ton equivalent CO <sub>2</sub>	tCO <sub>2</sub> e	0.61	0.61	0.81	1.15
	Additional refrigerant charging	g / m	-	-	15	25
Piping Connections	Liquid Pipe	Φ.inch	1 / 4	1 / 4	1 / 4	1 / 4
	Gas Pipe	Φ.inch	3 / 8	3 / 8	1 / 2	5 / 8
Piping Length	Min/ Max	m	3 / 20	3 / 20	3 / 30	3 / 50
Piping Height	Max	m	15	15	20	30
Piping Connections	Drain pipe	Φ.mm	ID 18	ID 18	ID 18	ID 18



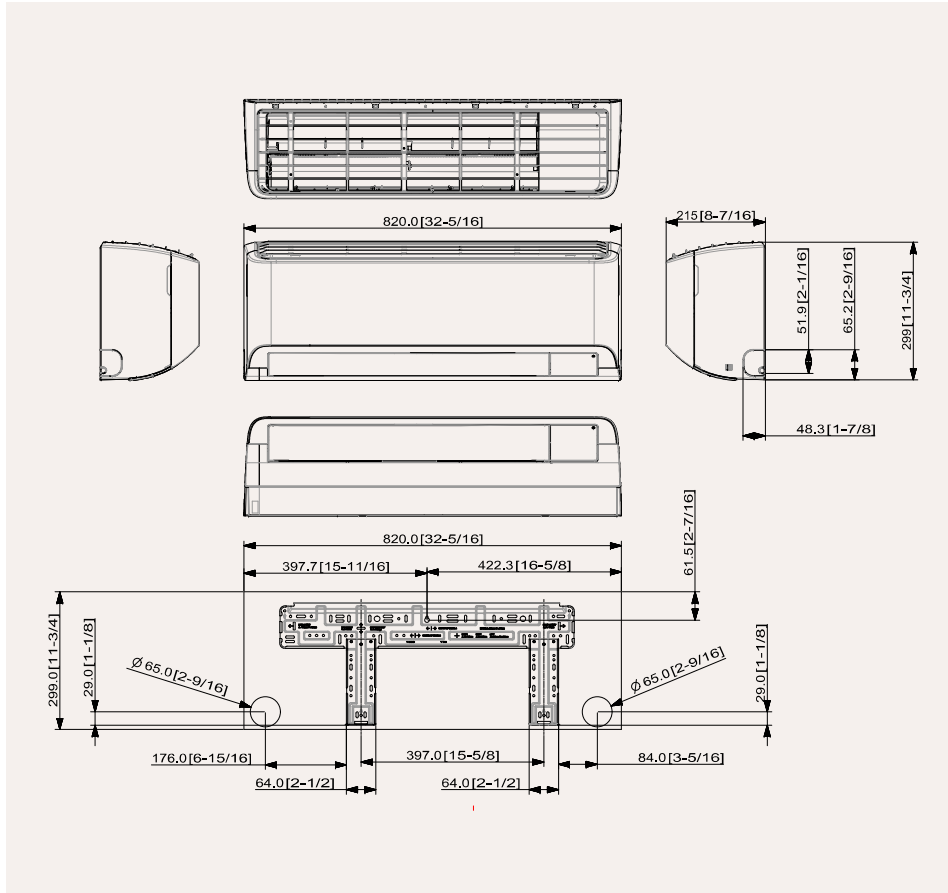
Wireless Remote Controller	Touch Controller	Wired Remote Controller	External Thermostat	Wi-Fi Kit
			MRW-TA	MM-H04EN

<sup>1</sup> Energy labels as shown are according to EU No 626/2011 (L0710) label classification 2019, on a scale from D to A+++.

# Dimensional drawings

WindFree™ Deluxe R32

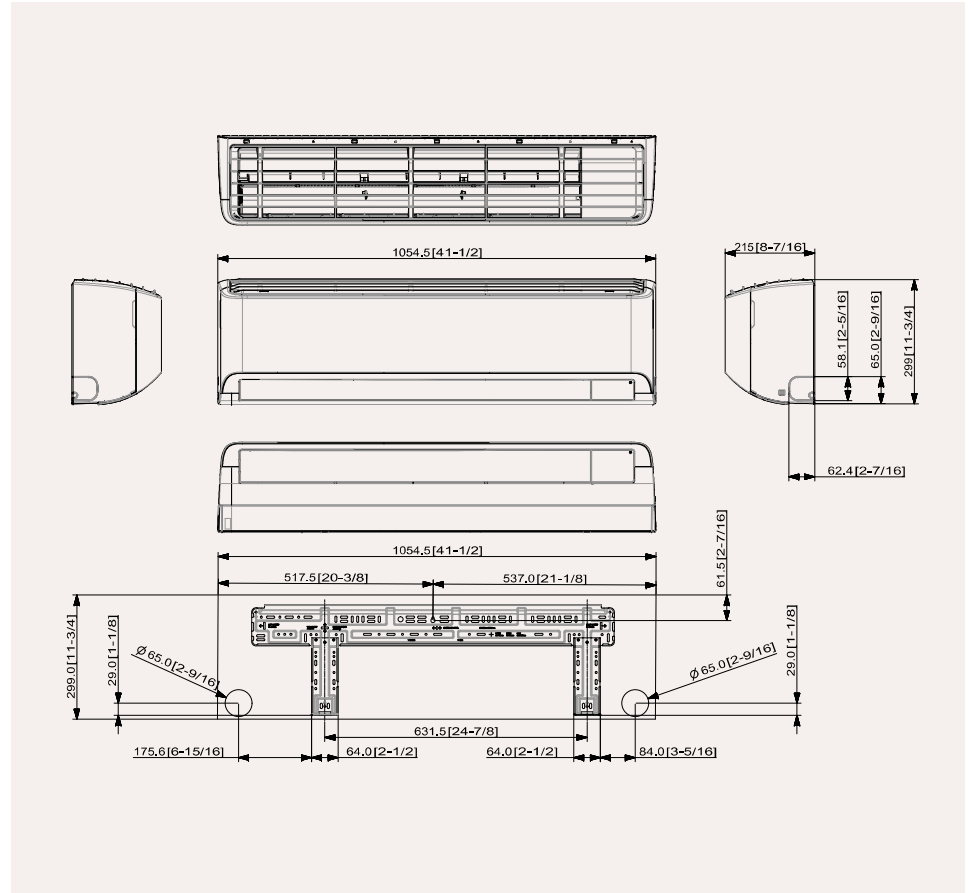
AC028TXDKG/EU AC028RXADKG/EU



NO	Name	Description
1	Refrigerant gas pipe	ø12.70 (1/2) Flare
2	Refrigerant liquid pipe	ø6.35 (1/4) Flare
3	Drain pipe connection	ID 18 Hose

WindFree™ Deluxe R32

AC052TXDKG/EU AC071TXDKG/EU



NO	Name	Description
1	Refrigerant gas pipe	ø12.70 (1/2) Flare
2	Refrigerant liquid pipe	ø6.35 (1/4) Flare
3	Drain pipe connection	ID 18 Hose