

Specifications

Max Wall-Mounted R32

- Full HD Filter.
- Wi-Fi kit (optional)



Indoor Unit	AC100RNTDKG/EU
Outdoor Unit – Mono-Phase	AC100RXADKG/EU
Outdoor Unit – Tri-Phase	AC100RXADNG/EU

Capacity			
Cooling (Min/Nominal/Max)	kW		3.0/9.5/11.0
Heating @ +7°C (Min/Nominal/Max)	kW		2.2/10.8/15.5
Heating @ -5°C	kW		10.6
Heating @ -15°C	kW		9.4
Performance			
Energy Efficiency Cooling	SEER ¹	W/W	5.9 ▲
	Power Consumption	kWh/a	564
	Pdesignc	kW	9.5
	EER	W/W	2.53
Energy Efficiency Heating	SCOP ¹	W/W	4.0 ▲
	Power Consumption	kWh/a	1,960
	Pdesignh (average)	kW	5.6
	COP ¹	W/W	2.82
Airflow Rate	Indoor Unit (H/M/L)	m ³ /min	22.7/19.8/17.8
Sound Power	Indoor Unit	dB(A)	65
	Outdoor Unit	dB(A)	69
Sound Pressure	Indoor Unit (H/M/L/Silent)	dB(A)	49/46/43/37
	Outdoor Unit (H/L)	dB(A)	54/52
Fan/Outdoor Unit	Type		Crossflow Fan
	Power	W	58
	Number of Fans	-	2
Operating Temperature Range	Cooling	°C	-15~50
	Heating	°C	-20.0~24.0

Indoor Unit	AC100RNTDKG/EU
Outdoor Unit – Mono-Phase	AC100RXADKG/EU
Outdoor Unit – Tri-Phase	AC100RXADNG/EU

Electrical Data			
Power Source	Indoor Unit	Φ, #, V, Hz	1Φ, 2, 220~240 V, 50 Hz
	Outdoor Unit Mono-Phase	Φ, #, V, Hz	1Φ, 2, 220~240 V, 50 Hz
	Outdoor Unit Tri-Phase	Φ, #, V, Hz	3Φ, 4, 380~415 V, 50 Hz
Compressor Type	Outdoor Unit	Type	Twin BLDC
Power (Min/Nominal/Max)	Cooling	kW	0.60/3.75/5.10
	Heating	kW	0.46/3.82/5.40
Current Input	Cooling (Min/Std/Max)	A	3.0/16.3/22.5
	Heating (Min/Std/Max)	A	2.5/16.7/23.0
	Cooling – Tri-Phase (Min/Std/Max)	A	1.5/5.7/7.7
	Heating – Tri-Phase (Min/Std/Max)	A	1.2/5.7/8.4
Dimensions			
Net Dimensions (W x H x D)	Indoor Unit	mm	1,280 x 345 x 253
	Outdoor Unit	mm	940 x 998 x 330
Net Weight	Indoor Unit	kg	18.5
	Outdoor Unit	kg	75.0
Refrigerant			
Refrigerant	Type		R32 (contains fluorinated greenhouse gases, GWP = 675)
	Factory Charging	kg	2.7/3.0 m
	Charging Ton equivalent CO ₂	tCO ₂ e	1.82
	Additional Refrigerant Charging	g/m	50
Piping Connections	Liquid Pipe	ø, inch	3/8
	Gas Pipe	ø, inch	5/8
Piping Length	Min/Max	m	3/50
Piping Height	Max	m	30
Piping Connections	Drain Pipe	ø, mm	VP25 (OD 32, ID 25)

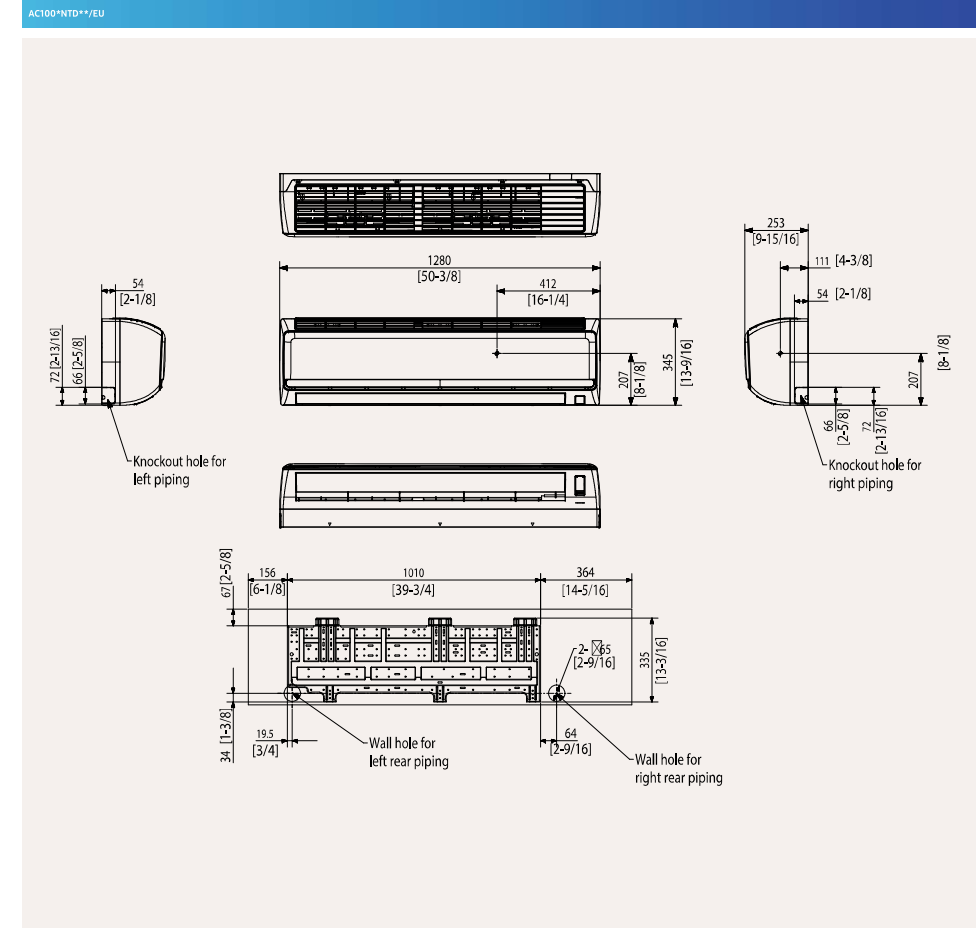
Accessories



Touch Controller	Advanced Wired Controller	Wi-Fi Kit	External Thermostat
MWR-SH11N	MWR-WG00JN/MWR-WG00KN	MIM-H04EN	MRW-TA

Dimensional drawings

Max Wall-Mounted R32



¹ Energy labels as shown are according to EU No 626/2011 (LOT10) label classification 2019, on a scale from D to A+++.