

# Specifications

LSP Duct R32

- Fan with inverter motor; prevalence adjustable up to 40 Pa; thickness of just 200.
- 750 mmH<sub>2</sub>O condensation drain pump (optional); antibacterial filter included.
- SPI Ioniser (optional).



Indoor Unit Outdoor Unit – Mono-Phase Outdoor Unit – Tri-Phase		AC026RNLDKG/EU AC026RXADKG/EU	AC035RNLDKG/EU AC035RXADKG/EU	AC052RNLDKG/EU AC052RXADKG/EU	AC071RNLDKG/EU AC071RXADKG/EU
<b>Capacity</b>					
Cooling (Min/Nominal/Max)	kW	0.80/2.60/3.80	0.85/3.50/4.30	1.20/5.00/6.50	1.50/7.10/8.70
Heating @ +7 °C (Min/Nominal/Max)	kW	0.98/3.50/4.30	1.00/4.00/5.00	1.10/6.00/7.20	1.90/8.00/9.00
Heating @ -5 °C	kW	3.2	3.9	5.9	7.8
Heating @ -15 °C	kW	2.9	3.5	5.2	7.0
<b>Performance</b>					
SEER <sup>1</sup>	W/W	6.2 <span style="color: green;">A++</span>	6.1 <span style="color: green;">A++</span>	6.1 <span style="color: green;">A++</span>	6.0 <span style="color: green;">A+</span>
Power Consumption	kWh/a	147	201	287	414
Pdesignc	kW	2.40	3.50	5.00	7.10
EER	W/W	3.82	3.12	2.96	2.98
SCOP <sup>1</sup>	W/W	4.0 <span style="color: green;">A+</span>	4.0 <span style="color: green;">A+</span>	3.9 <span style="color: orange;">A-</span>	3.9 <span style="color: orange;">A-</span>
Power Consumption	kWh/a	700	700	862	1,328
Pdesignh (average)	kW	2.0	2.0	2.4	3.7
COP <sup>1</sup>	W/W	3.79	3.31	3.45	3.36
Airflow Rate	Indoor Unit (H/M/L) m <sup>3</sup> /min	9.0/8.2/7.4	9.5/8.5/7.5	13.5/11.5/9.5	19.0/14.5/10.0
Sound Power	Indoor Unit dB(A)	53	53	55	59
Sound Pressure	Indoor Unit (H/M/L) dB(A)	32/29/26	33/30/27	33/30/27	37/32/27
Fan/Outdoor Unit	Type	Sirocco	Sirocco	Sirocco	Sirocco
Power	W	153	153	153	153
Number of Fans	-	2	2	3	3
External Static Pressure	Min/Std/Max Pa	0.00/25.00/39.00	0.00/25.00/39.00	0.00/25.00/39.00	0.00/25.00/39.00
Operating Temperature Range	Cooling °C	-15-46	-15-46	-15-50	-15-50
Heating °C	-20.0-24.0	-20.0-24.0	-20.0-24.0	-20.0-24.0	
<b>Electrical Data</b>					
Power Source	Indoor Unit Outdoor Unit Mono-Phase Outdoor Unit Tri-Phase	Φ, #, V, Hz 1Φ, 2, 220-240 V, 50 Hz 1Φ, 2, 220-240 V, 50 Hz	Φ, #, V, Hz 1Φ, 2, 220-240 V, 50 Hz 1Φ, 2, 220-240 V, 50 Hz	Φ, #, V, Hz 1Φ, 2, 220-240 V, 50 Hz 1Φ, 2, 220-240 V, 50 Hz	Φ, #, V, Hz 1Φ, 2, 220-240 V, 50 Hz 1Φ, 2, 220-240 V, 50 Hz
Compressor Type	Outdoor Unit Type	Single BLDC	Single BLDC	Twin BLDC	Twin BLDC
Power (Min/Nominal/Max)	Cooling kW	0.19/0.68/1.20	0.20/1.12/1.40	0.35/1.69/2.20	0.35/2.38/3.60
Heating kW	0.20/0.87/1.45	0.19/1.21/1.80	0.26/1.74/2.70	0.35/2.38/3.95	
Current Input	Cooling (Min/Std/Max) A	1.5/3.4/5.5	1.6/5.4/6.5	2.1/7.7/10.0	2.0/10.5/16.0
Heating (Min/Std/Max) A	1.3/4.5/7.0	1.3/5.8/10.5	1.7/7.8/12.0	2.0/10.4/17.0	
<b>Dimensions</b>					
Net Dimensions (W x H x D)	Indoor Unit mm	700 x 199 x 600	700 x 199 x 600	1,100 x 200 x 450	1,100 x 200 x 450
Outdoor Unit mm	790 x 548 x 285	790 x 548 x 285	880 x 638 x 310	880 x 798 x 310	

Indoor Unit Outdoor Unit – Mono-Phase Outdoor Unit – Tri-Phase		AC026RNLDKG/EU AC026RXADKG/EU	AC035RNLDKG/EU AC035RXADKG/EU	AC052RNLDKG/EU AC052RXADKG/EU	AC071RNLDKG/EU AC071RXADKG/EU
Net Weight	Indoor Unit kg	19.0	19.0	23.5	23.5
Outdoor Unit kg	32.5	32.5	43.0	51.0	
<b>Refrigerant</b>					
Refrigerant	Type	R32 (contains fluorinated greenhouse gases. GWP = 675)			
Factory Charging	kg	0.9/20 m	0.9/20 m	1.2/10 m	1.7/15 m
Charging Ton equivalent CO <sub>2</sub>	tCO <sub>2</sub> e	0.61	0.61	0.81	1.15
Additional Refrigerant Charging	g/m	-	-	15	25
Piping Connections	Liquid Pipe a, inch	1/4	1/4	1/4	1/4
Gas Pipe a, inch	3/8	3/8	1/2	5/8	
Piping Length	Min/Max m	3/20	3/20	3/30	3/50
Piping Height	Max m	15	15	20	30
Piping Connections	Drain Pipe a, mm	VP25 (OD 32, ID 25)	VP25 (OD 32, ID 25)	VP25 (OD 32, ID 25)	VP25 (OD 32, ID 25)
<b>Others</b>					
Panel	Model Code	-	-	-	-
Net Dimensions (W x H x D)	mm	-	-	-	-
Net Weight	kg	-	-	-	-
<b>Accessories</b>					
Accessories	Drain Pump	MDP-E075SEE3D	MDP-E075SEE3D	MDP-G075SP	MDP-G075SP
Max. Lifting Height/Displacement	mm / litres/h	750/24	750/24	750/24	750/24

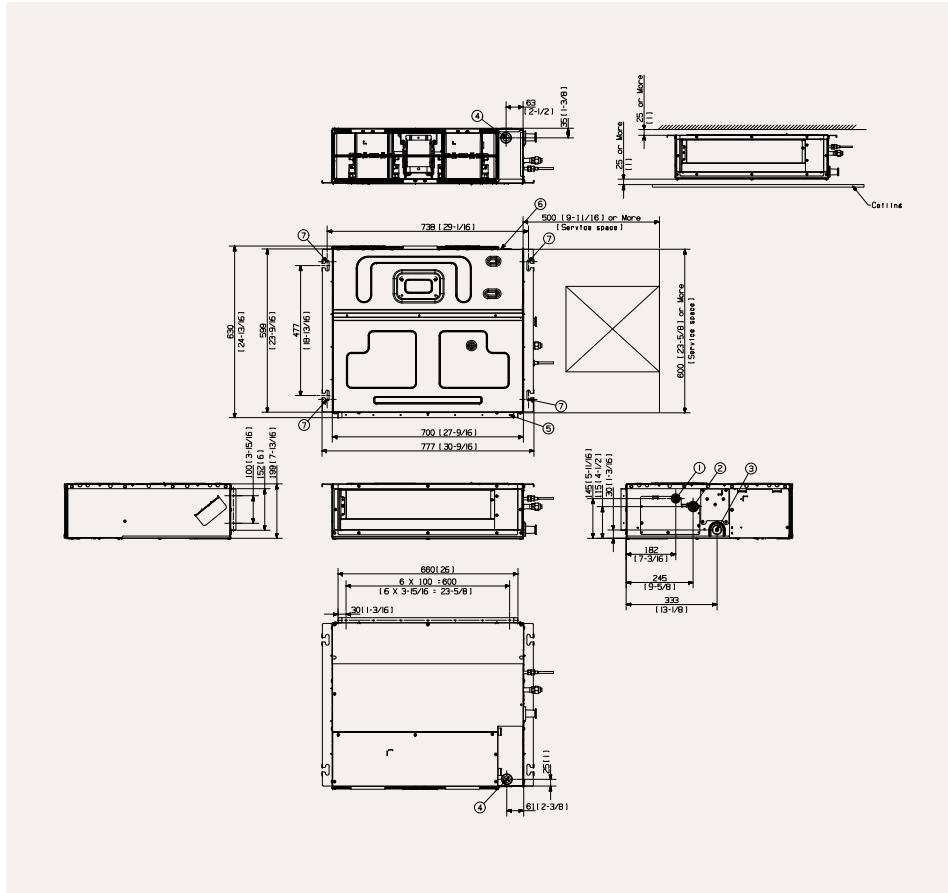
Accessories						
MDP-E075SEE3D	AR-EH03E (to be matched with MRK-A10N)	MWR-SH11N	MWR-WG00JN/ MWR-WG00KN	MM-WH04N	MRK-A10N (to be matched with AR-EH03E)	MRW-TA
						SPI Ioniser MSD-EAN1

<sup>1</sup> Energy labels as shown are according to EU No 626/2011 (LOT10) label classification 2019, on a scale from D to A+++.

# Dimensional drawings

LSP Duct R32

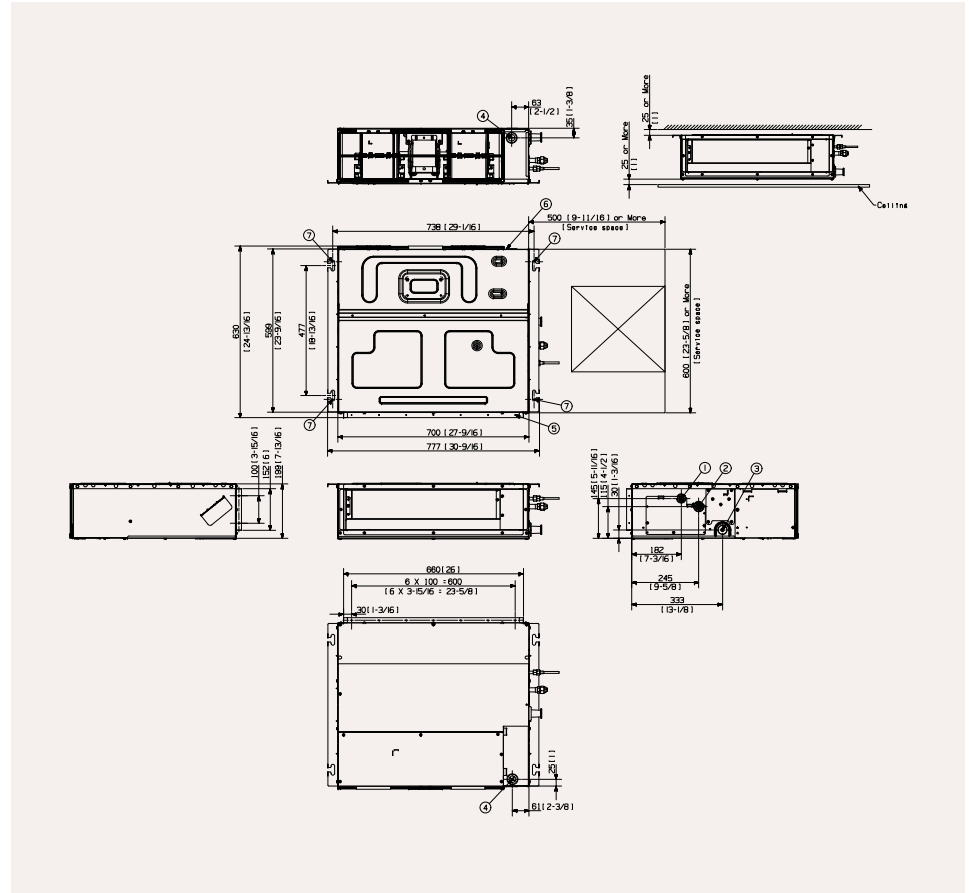
AC028/035\*\*NLDK\*/EU



NO	Name	Description
1	Liquid piping	ø6.35 (1/4)
2	Gas piping	ø9.52 (3/8)
3	Condensation drain piping	VP25 (OD 32, ID 25)
4	Power supply/communication wiring conduits	
5	Air intake	
6	Air supply	
7	Air tie rods	Use M8-M10 bolt (4x)

LSP Duct R32

AC052/071\*\*NLDK\*/EU



NO	Name	Description
1	Liquid piping	ø6.35 (1/4)
2	Gas piping	ø9.52 (3/8)
3	Condensation drain piping	VP25 (OD 32, ID 25)
4	Power supply/communication wiring conduits	
5	Air intake	
6	Air supply	
7	Air tie rods	Use M8-M10 bolt (4x)